



US005953587A

United States Patent [19]

[11] Patent Number: **5,953,587**

Forrest et al.

[45] Date of Patent: **Sep. 14, 1999**

[54] **METHOD FOR DEPOSITION AND PATTERNING OF ORGANIC THIN FILM**

[75] Inventors: **Stephen R. Forrest**, Princeton; **Vladimir Bulovic**, Metuchen; **Paul Burrows**, Princeton Junction, all of N.J.

[73] Assignee: **The Trustees of Princeton University**, Princeton, N.J.

[21] Appl. No.: **08/976,666**

[22] Filed: **Nov. 24, 1997**

[51] Int. Cl.⁶ **H01L 51/40**

[52] U.S. Cl. **438/99; 438/22; 438/35; 257/40; 257/79; 257/89**

[58] Field of Search **438/22, 23, 28, 438/29, 34, 35, 39, 99; 257/12, 13, 40, 88, 89, 90, 96, 97, 100, 79**

[56] **References Cited**

U.S. PATENT DOCUMENTS

5,294,870 3/1994 Tang 313/504
5,641,611 6/1997 Shieh et al. 438/35

FOREIGN PATENT DOCUMENTS

WO 96/19792 6/1996 WIPO .

OTHER PUBLICATIONS

Noach et al., "Microfabrication of an electroluminescent polymer light emitting diode pixel array", Appl. Phys. Lett. 69 (24), Dec. 9, 1996, pp. 3650-3652.

M. Hatzakis, "Multilayer Resist Systems for Lithography", Solid State Technology, Aug. 1981, pp. 74-80.

Witman et al., "A Simple Bilayer Lift-Off Process", Micro-electronic Engineering, 11 (1990) pp. 549-552.

V. Bouchait and D. Esteve, "Lift-off lithography using an atomic force microscope", Appl. Phys. Lett. 69(20, Nov. 11, 1996, pp. 3098-3100.

C. Hosokawa, "L2.3: Organic Multicolor EL Display with Fine Pixels", SID 97 Digest, pp. 1073-1076.

J.M. Moran and D.J. Maydan, "High resolution, steep profile resist patterns", J. Vac. Sci. Technol., 16(6), Nov./Dec. 1979, pp. 1620-1624.

W.R. Runyan & K.E. Bean, Semiconductor Integrated Circuit Processing Technology, p. 560, Addison-Wesley, 1990.

E. Ong and E.L. Hu, "Multilayer Resists for Fine Line Optical Lithography," Solid State Technology, Jun. 1984.

T. Wakimoto, et al., "Stability Characteristics of Quinacridone and Coumarin Molecules as Guest Dopants in the Organic LEDs", 21-1-03 (Abstract).

Primary Examiner—Charles Bowers

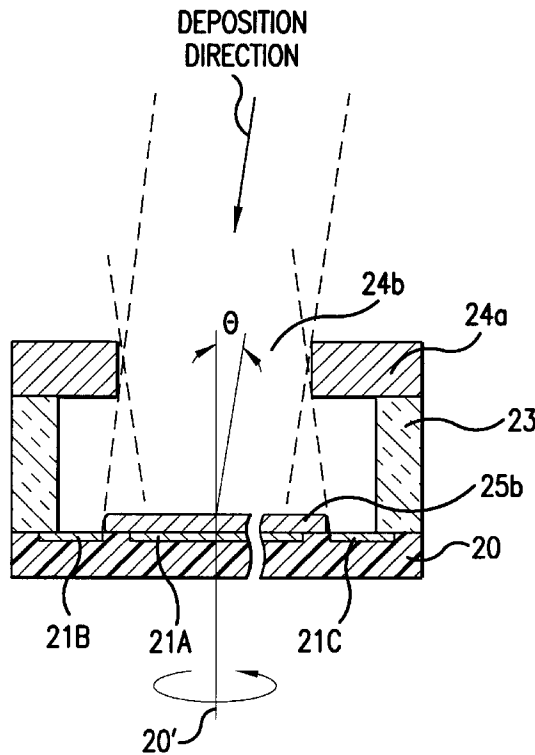
Assistant Examiner—Keith Christianson

Attorney, Agent, or Firm—Kenyon & Kenyon

[57] **ABSTRACT**

A patterning system with a photoresist overhang allows material to be deposited onto a substrate in various positions by varying the angle from which the material is deposited, and by rotating the substrate. The patterning system can be used to fabricate a stack of organic light emitting devices on a substrate using the same patterning system and without removing the substrate from vacuum.

12 Claims, 14 Drawing Sheets



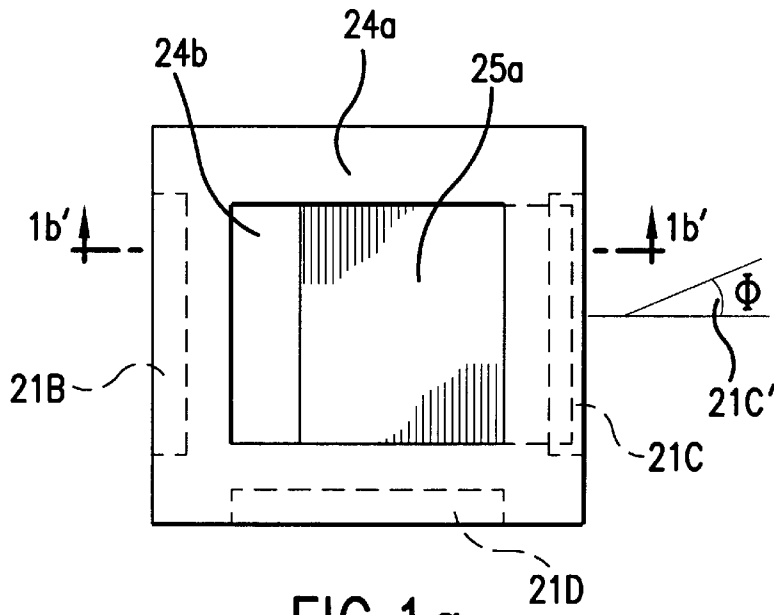


FIG. 1a

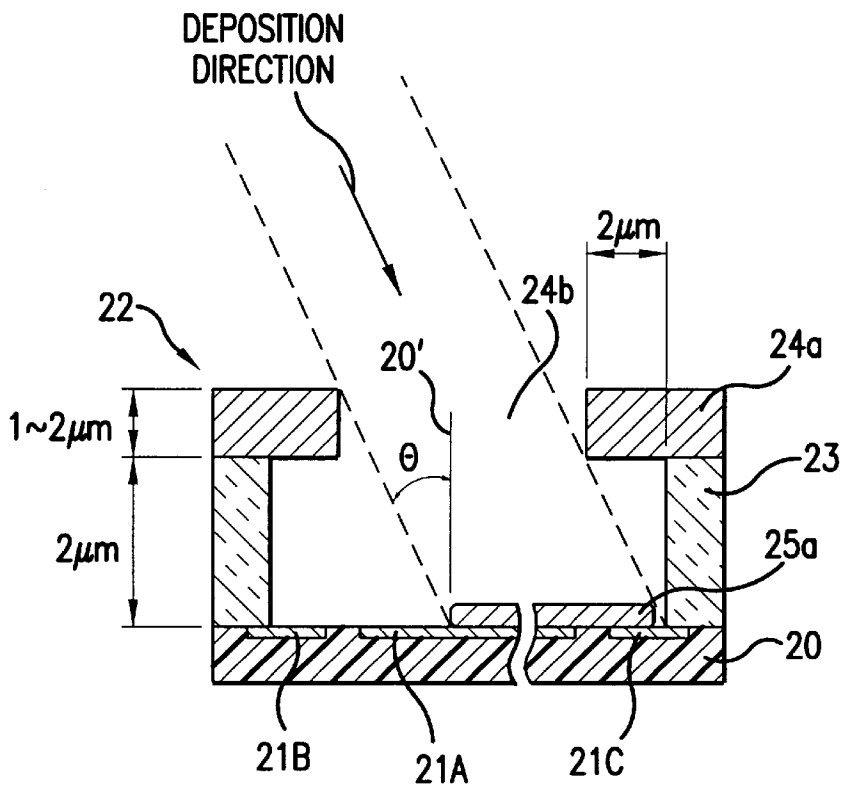
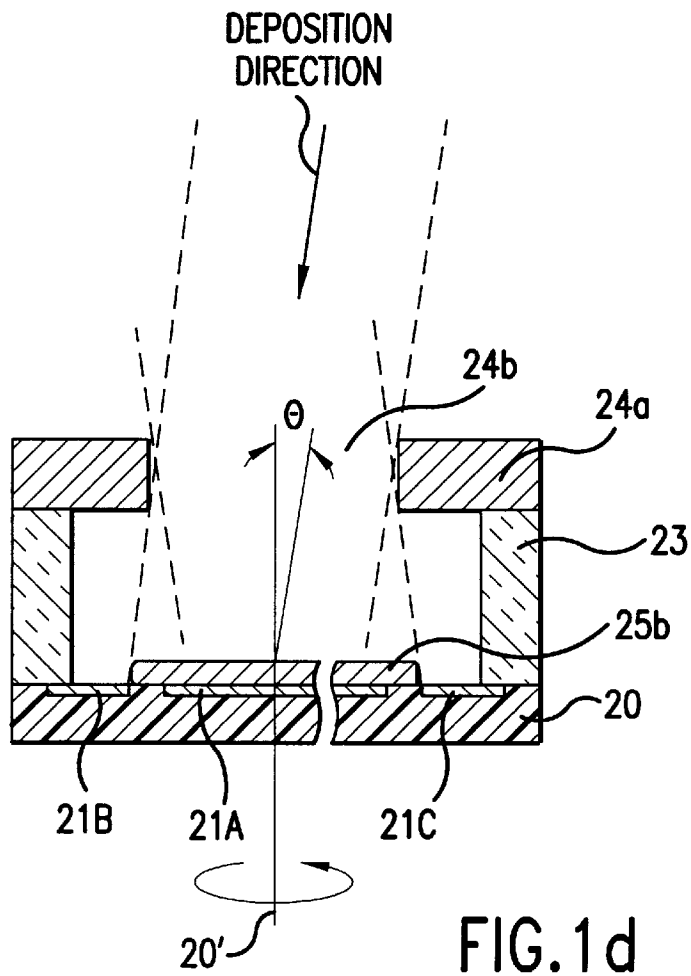
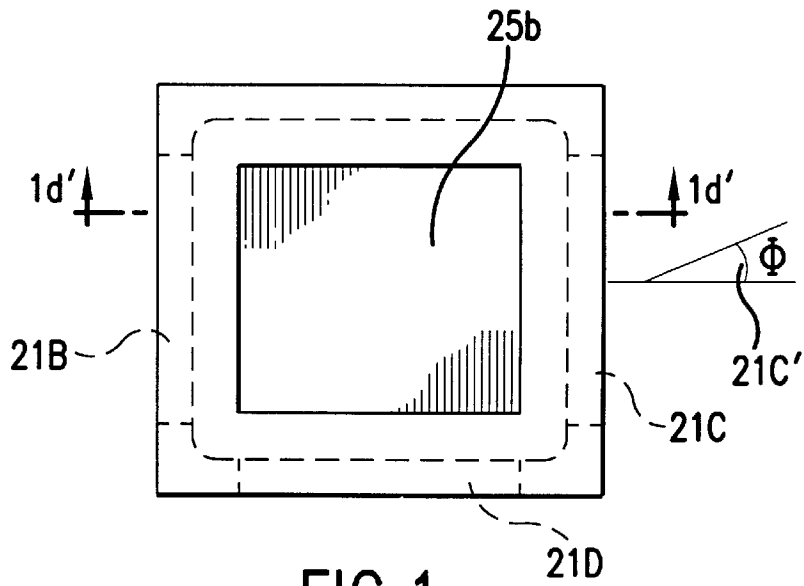


FIG. 1b



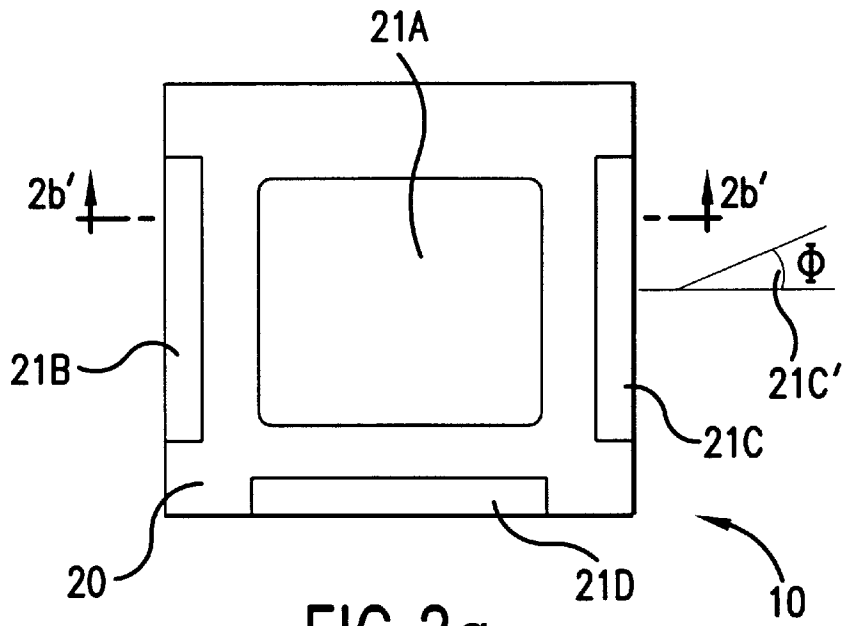


FIG. 2a

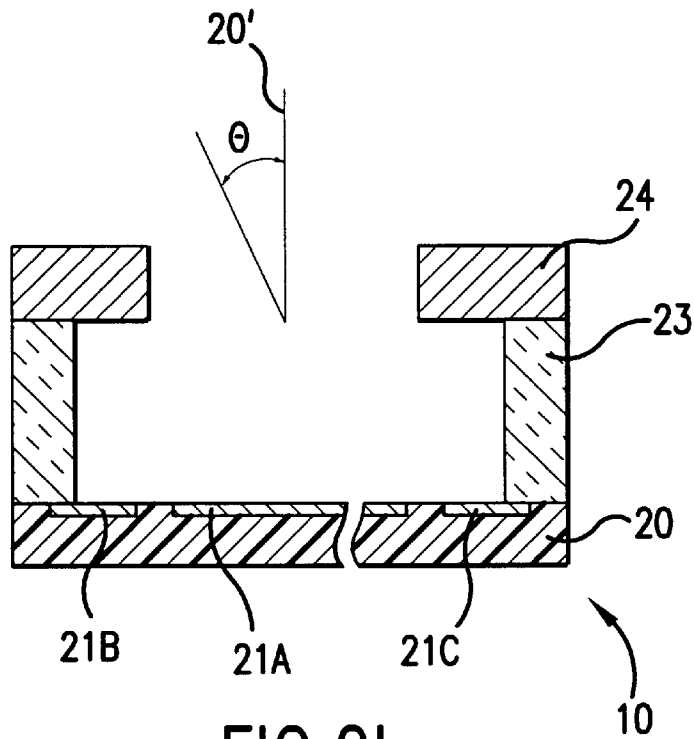


FIG. 2b

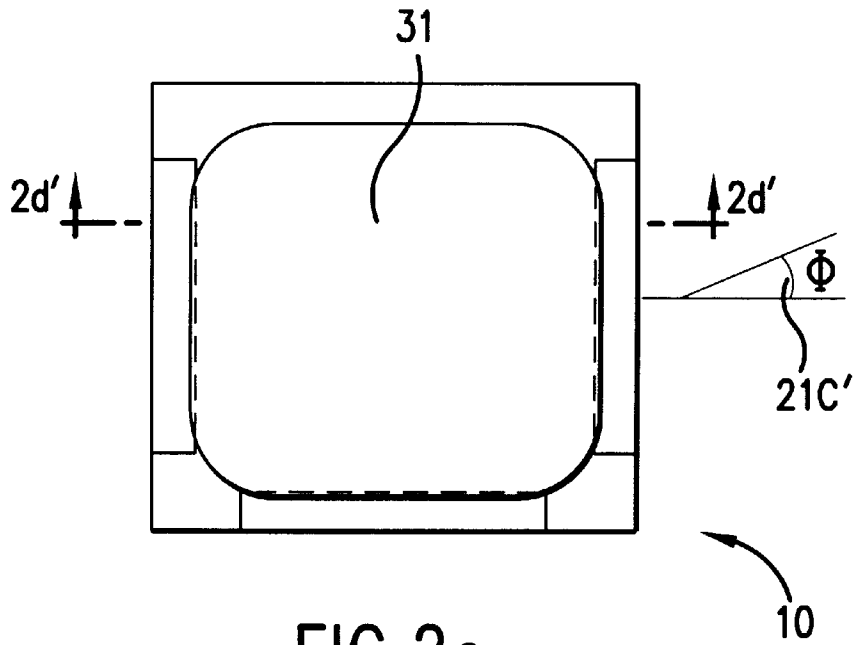


FIG. 2c

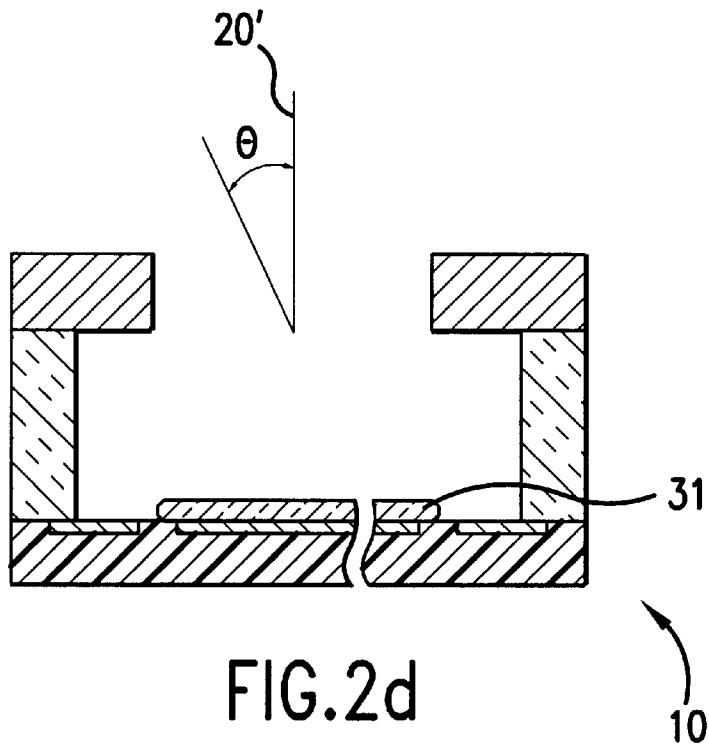


FIG. 2d

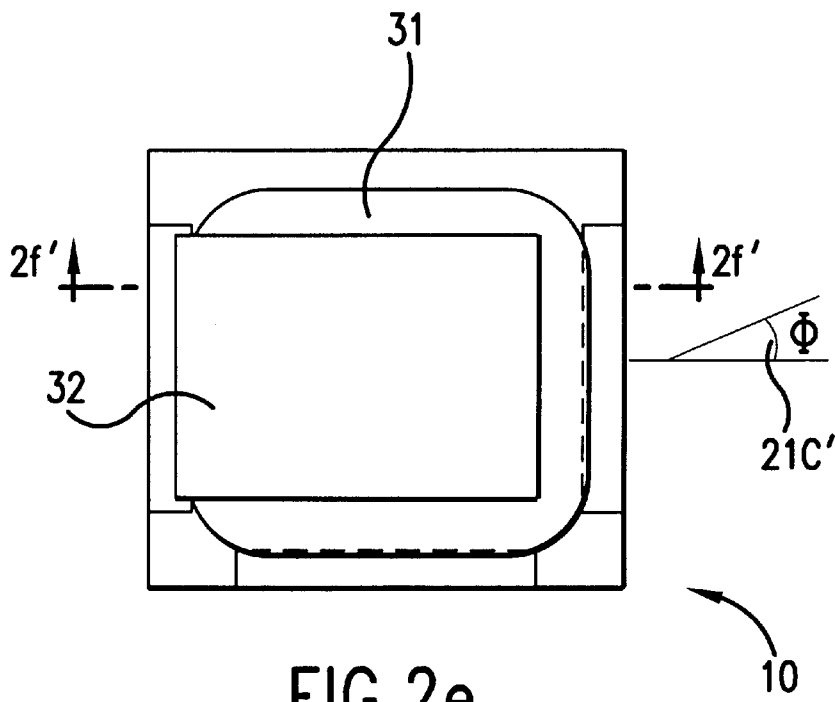


FIG. 2e

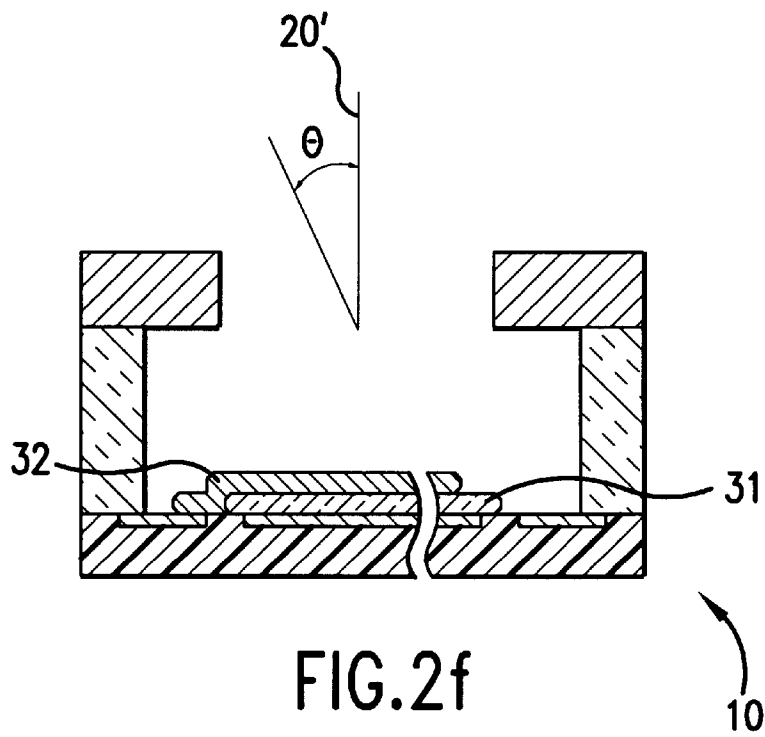
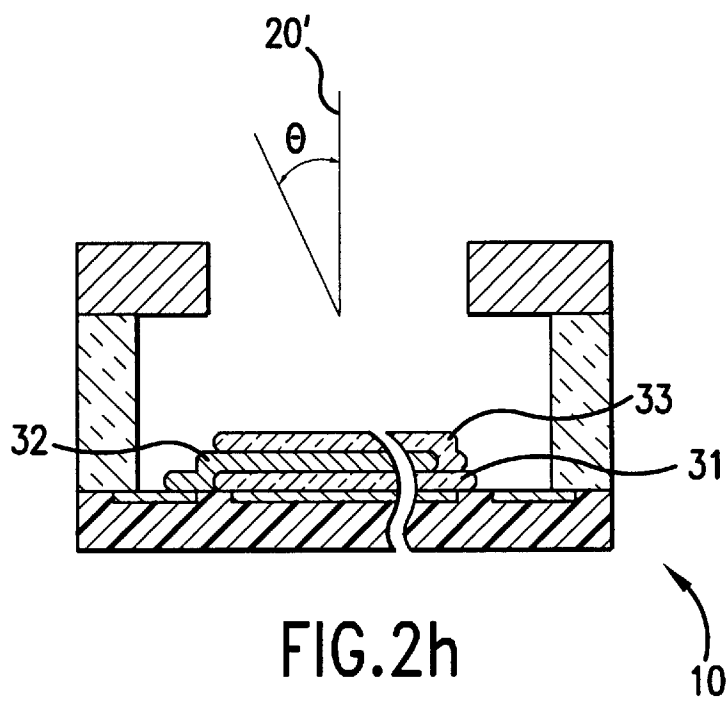
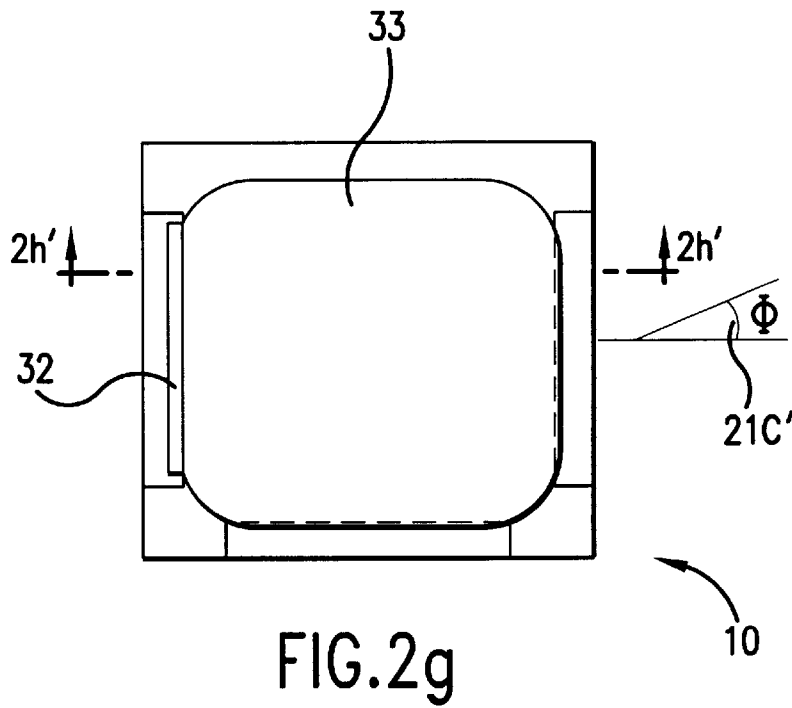


FIG. 2f



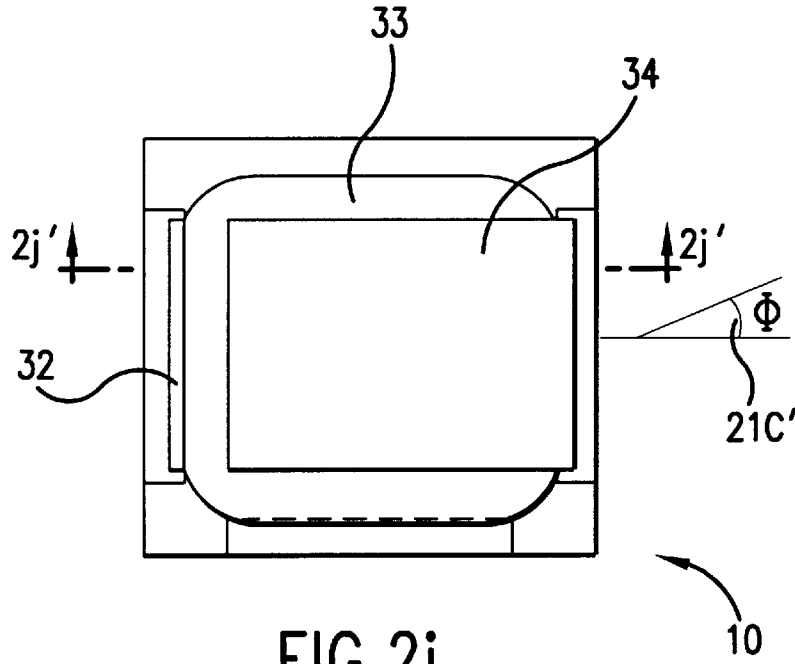


FIG. 2i

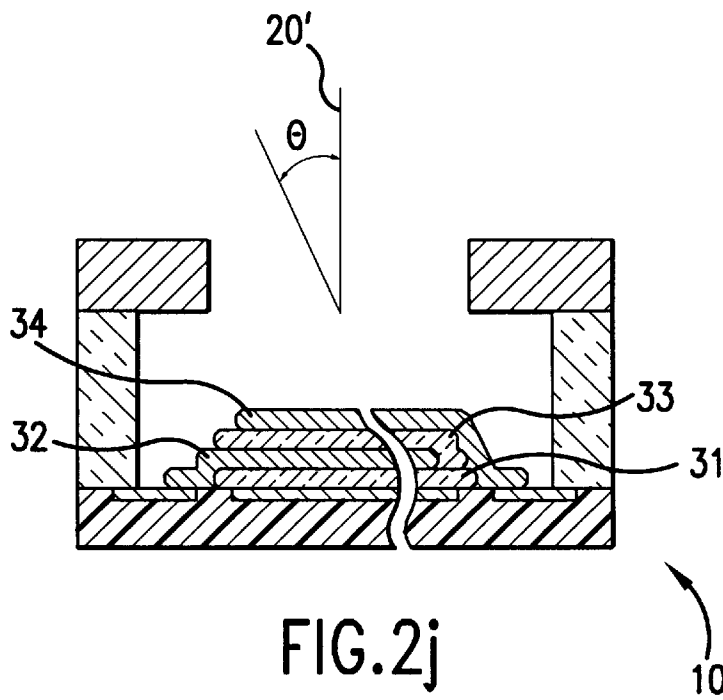
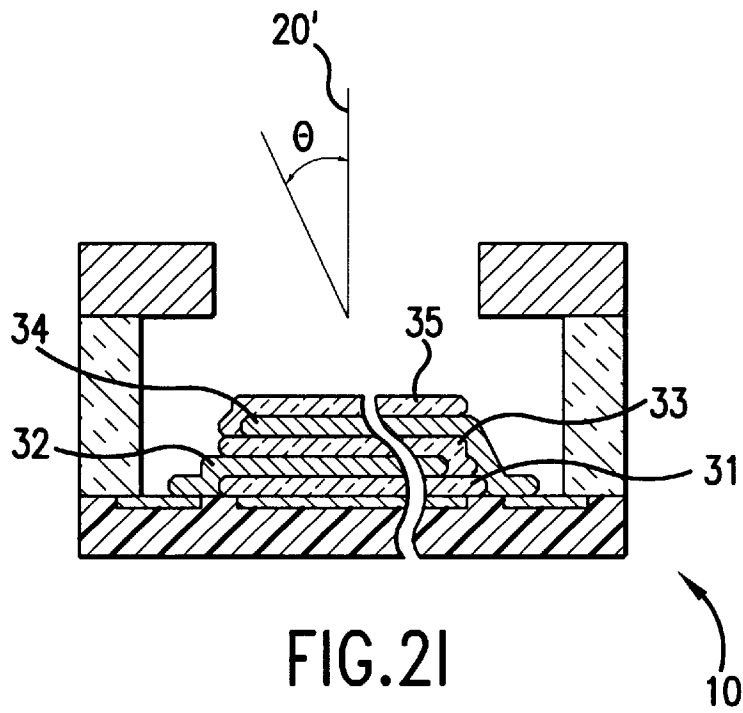
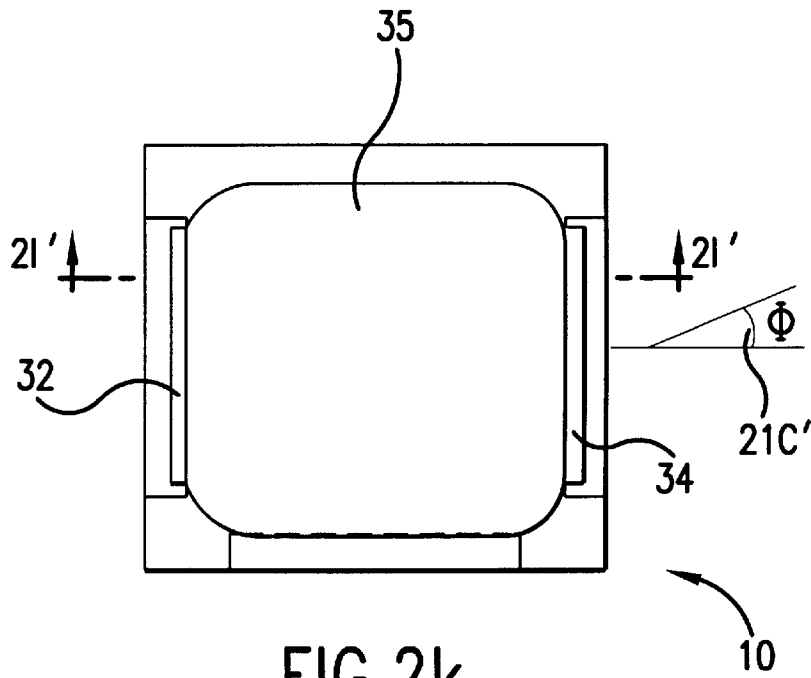
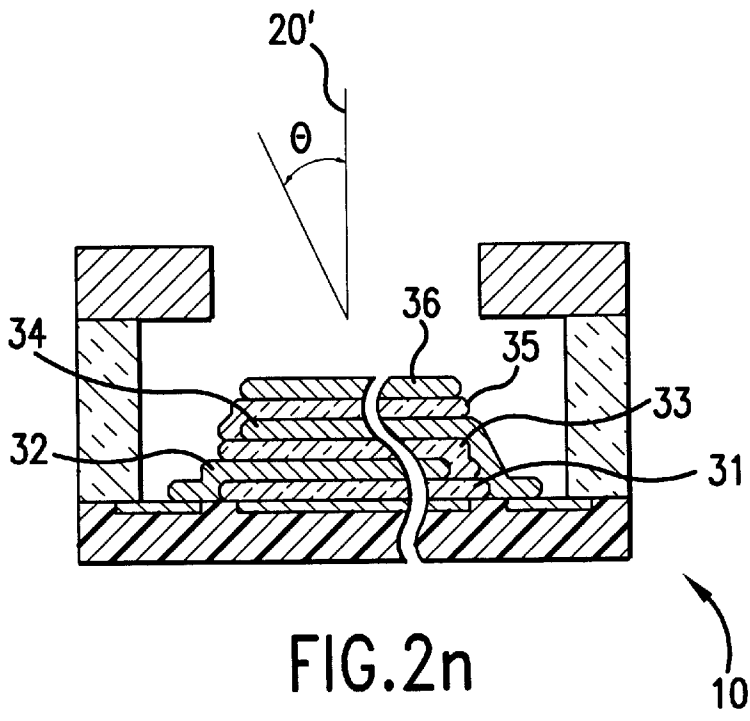
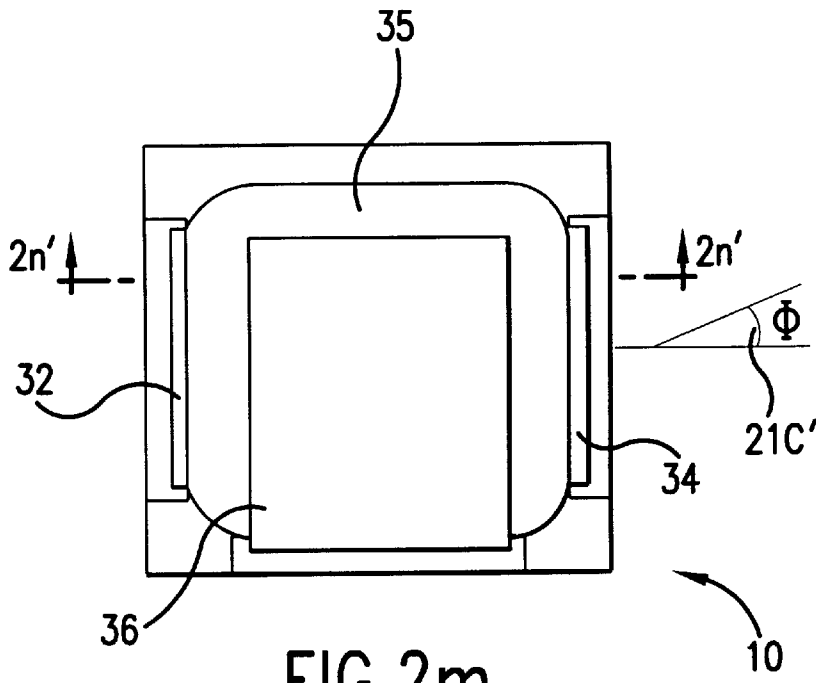
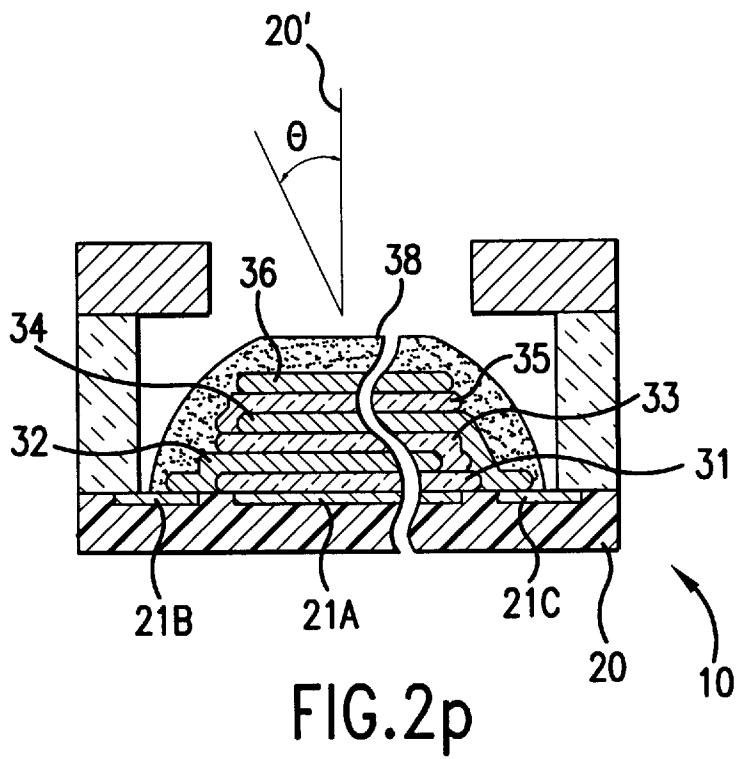
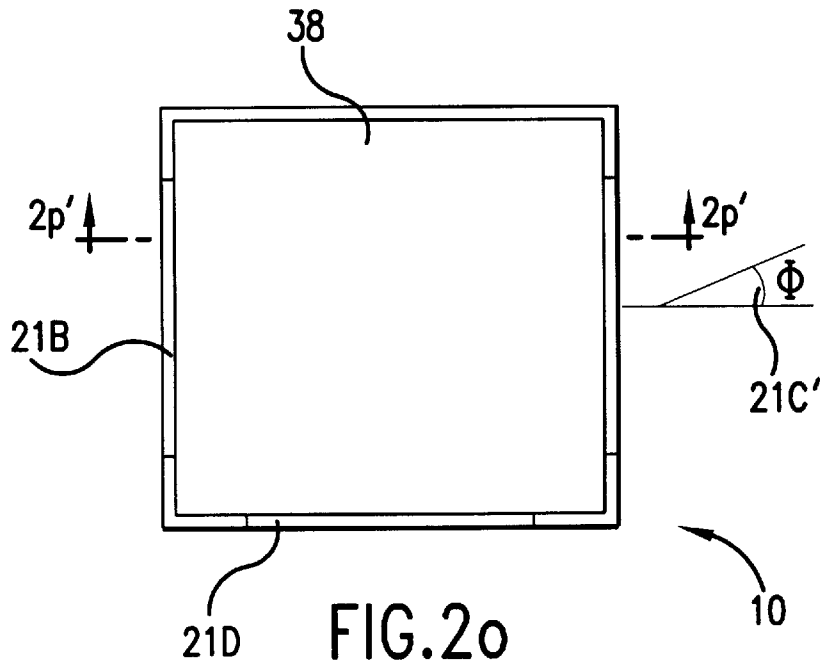


FIG. 2j







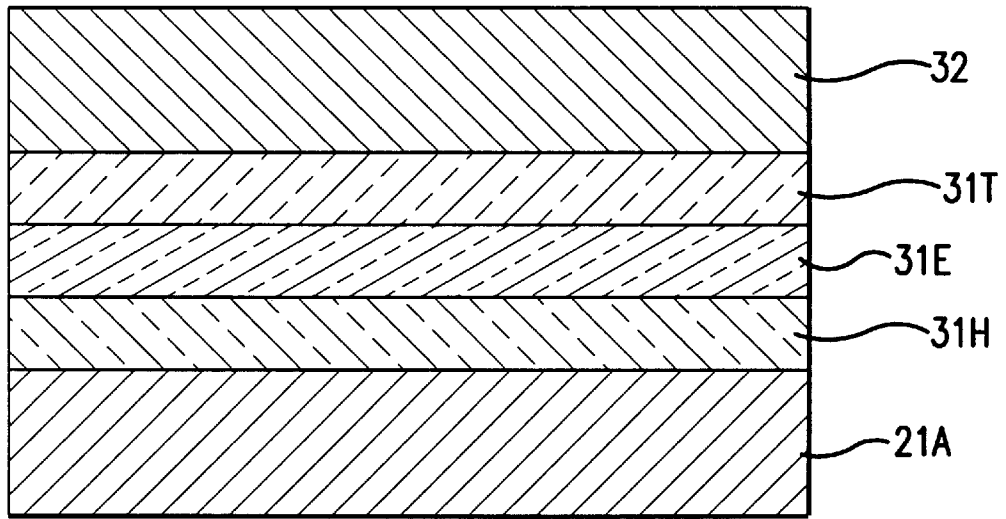


FIG.3

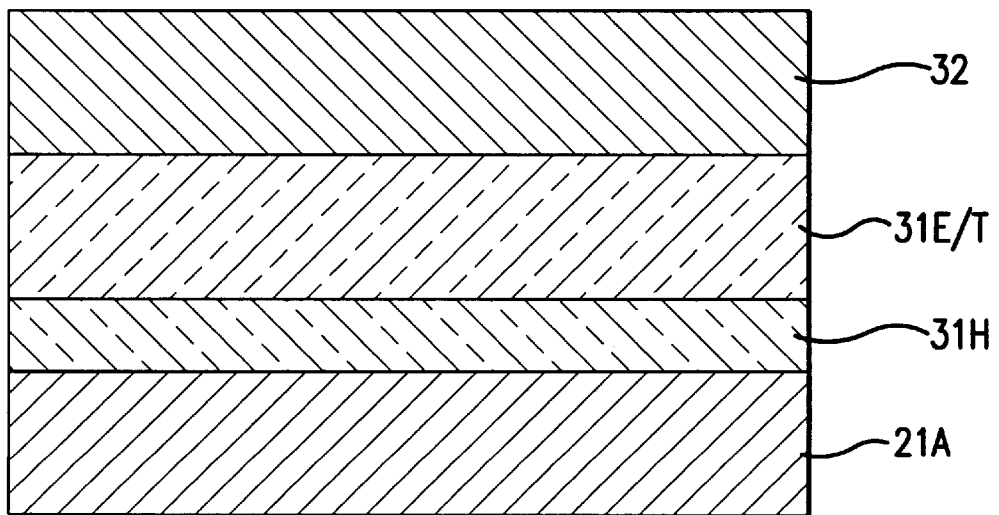


FIG.4

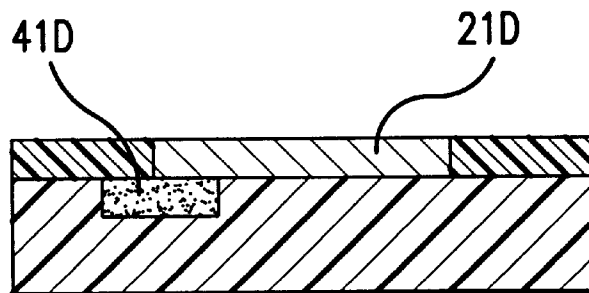
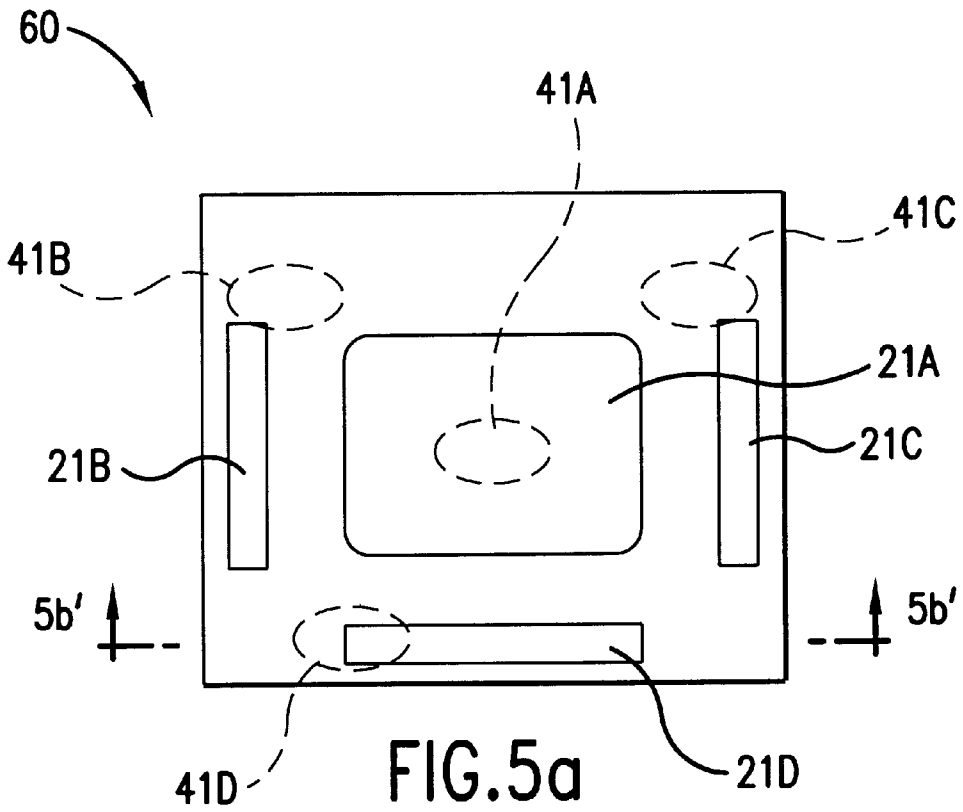


FIG. 5b

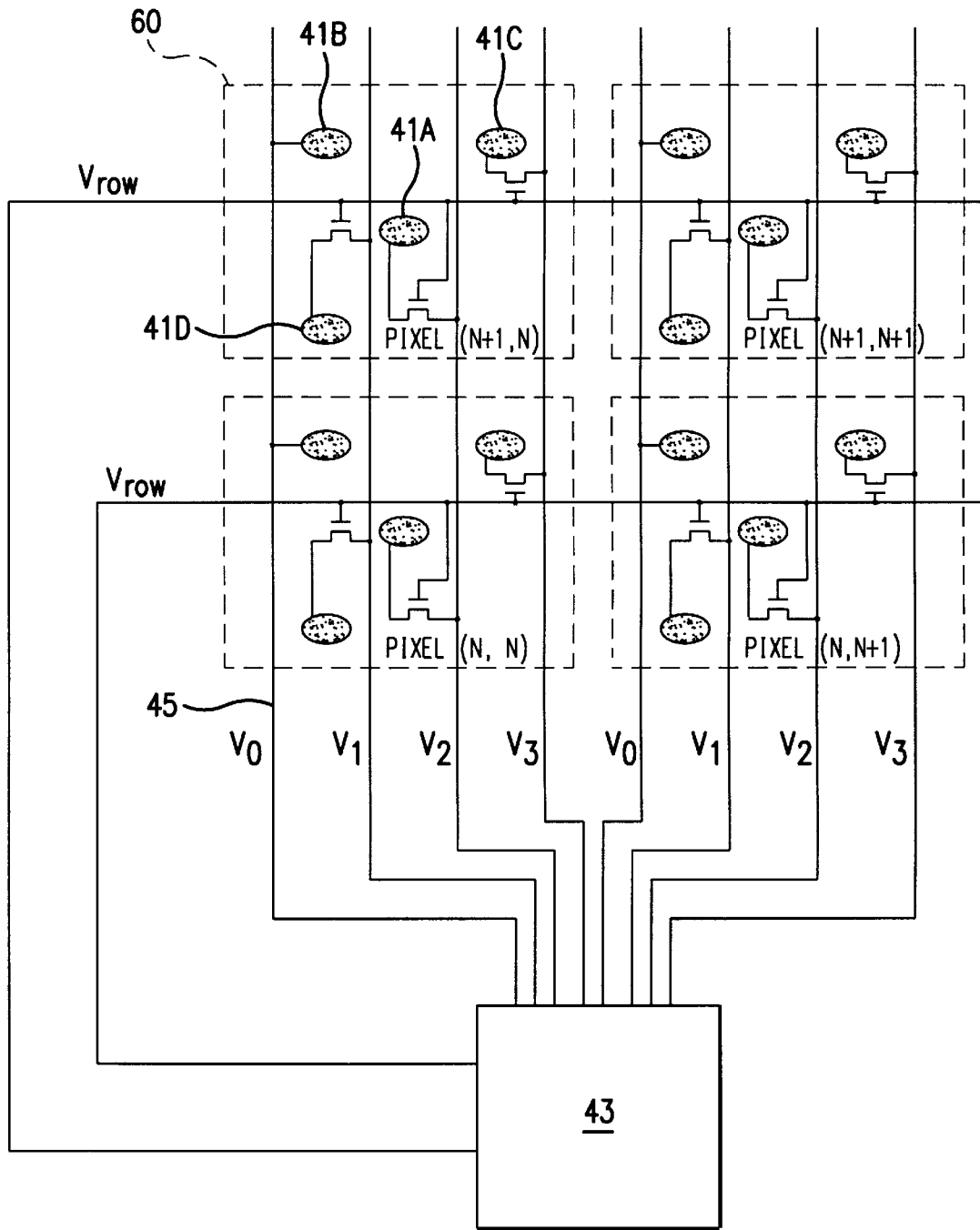
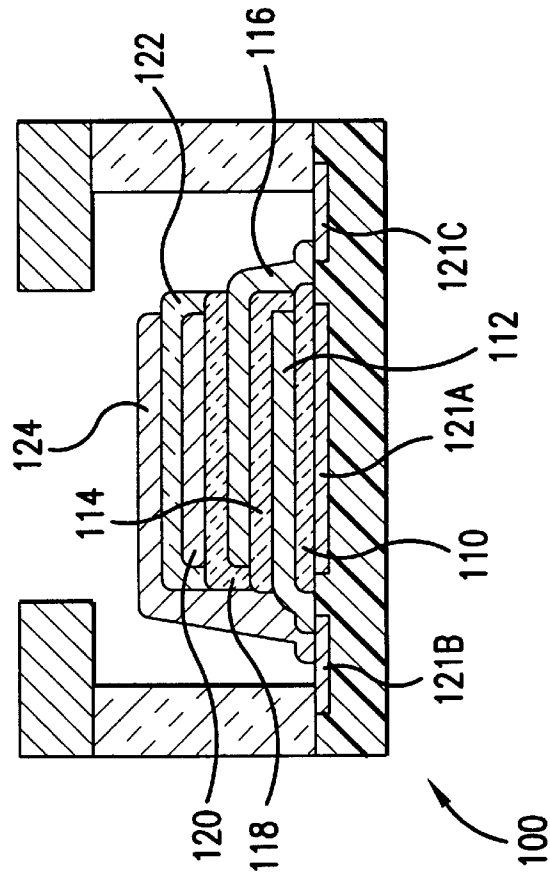
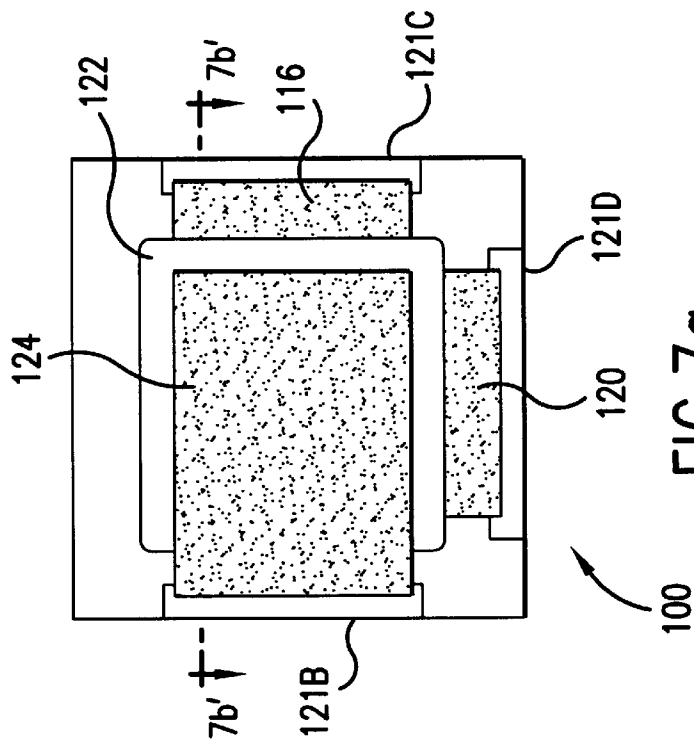


FIG.6



METHOD FOR DEPOSITION AND PATTERNING OF ORGANIC THIN FILM

This invention was made with Government support under Contract No. F33615-94-11444, awarded by the Defense Advanced Research Projects Agency. The Government has certain rights in this invention.

FIELD OF THE INVENTION

The present invention relates to deposition and patterning methods for thin films, and more particularly to photolithographic patterning methods which are suitable for producing organic light emitting devices (OLEDs) suitable for commercial flat panel displays, and to vacuum deposited devices fabricated using such photolithographic patterning methods. More specifically, the present invention provides a single patterning system that can be used to pattern the various layers that comprise a three color stacked OLED (SOLED) without removing the SOLED from vacuum.

BACKGROUND OF THE INVENTION

Organic light emitting devices, which make use of thin film materials that emit light when excited by electric current, are becoming an increasingly popular technology for applications such as flat panel displays. Popular OLED configurations include double heterostructure, single heterostructure, and single layer, as described in PCT Application WO 96/19792, which is incorporated by reference.

OLED's may be fabricated using shadow mask technology. However, it is difficult to accurately align multiple layers of deposited material using shadow masks, and the masks tend to clog. Moreover, it is difficult to fabricate features smaller than about 300 microns using a shadow mask, whereas OLEDs smaller than about 100 microns by 100 microns, and possibly smaller than about 10 microns by 10 microns, are preferred for a high resolution, full color flat panel display.

An array of 20 micron \times 20 micron polymer LEDs has been fabricated using direct photoablation with the 193 nm. emission of an excimer laser. S. Noach et al, Appl. Phys. Lett. 69, 3650, Dec. 9, 1996. While this dimension is suitable for a high resolution display, the low speed of laser photoablation are undesirable for commercialization.

Photolithographic patterning involves the use of a photoresist to create patterns in a material deposited on a substrate, and can be used to pattern materials and fabricate devices on a submicron scale, much smaller than can be achieved with shadow mask technology. Photolithographic patterning is also well suited to commercialization because it can be used to quickly fabricate large panels. However, the organic materials used to fabricate OLEDs may be quickly degraded from exposure to deleterious substances such as water, solvents, developers, and even atmospheric conditions. In particular, many of the chemicals used in photolithographic processing, such as solvents and developers used to wash away photoresist, may rapidly degrade such organic materials. Great care should be taken to ensure that the organic materials are not exposed to deleterious substances during the patterning of top electrodes and afterward.

U.S. Pat. No. 5,294,870 to Tang discloses the use of a series of parallel walls formed by photolithography prior to deposition of an organic EL layer such that photolithographic patterning steps or wet chemistry are not required after the organic EL medium is deposited.

It is known to use a multi-layer photoresist system with an overhang to deposit materials with sloped edges. W. R.

Runyan & K. E. Bean, Semiconductor Integrated Circuit Processing Technology, p.560, Addison-Wesley, 1990. It is also known to use a photoresist system with an overhang to deposit small features, and to facilitate the lift-off of photoresist after material has been deposited in applications such as the fabrication of narrow gate gallium arsenide transistors.

SUMMARY OF THE INVENTION

A new processing method for patterning small features in organic thin films using photolithographic patterning is described. In this method all photolithographic processing steps are performed prior to organic film deposition. The organic films and electrodes that comprise a SOLED, or similar multi-electrode organic-based device, are then deposited in sequence without being removed from vacuum. This method avoids exposure of the organic layers to conventional photolithographic solvents, such as trichloroethylene, acetone, methanol, ethanol, and propanol, that can modify mechanical and electrical properties of organic thin films.

In accordance with an embodiment of the present invention, a method of fabricating an organic thin film device is provided that includes the steps of: creating a patterning system having an insulation layer and a photoresist layer with a photoresist overhang on a substrate having a plurality of contact pads; depositing through the patterning system a first electrode that electrically connects to a first contact pad of said plurality of contact pads; depositing through the patterning system an organic layer that electrically connects to the first electrode; and depositing through the patterning system a second electrode that electrically connects to the first organic layer and a second contact pad of said plurality of contact pads.

In accordance with an embodiment of the present invention, a method of fabricating a stacked organic thin film device is provided that includes the steps of: creating a patterning system having an insulation layer and a photoresist layer with a photoresist overhang on a substrate having a first contact pad, a second contact pad, a third contact pad, and a fourth contact pad; depositing through the patterning system a first organic layer that covers and electrically connects to the first contact pad; depositing through the patterning system a first electrode that electrically connects to the second contact pad and the first organic layer; depositing through the patterning system a second organic layer that electrically connects to the first electrode; depositing through the patterning system a second electrode that electrically connects to the third contact pad and the second organic layer; and depositing through the patterning system a third organic layer that electrically connects to the second electrode; depositing through the patterning system a third electrode that electrically connects to the fourth contact pad and the third organic layer.

In accordance with an embodiment of the present invention, a method of fabricating a stacked organic thin film device is provided that includes the steps of: creating a patterning system having an insulation layer and a photoresist layer with a photoresist overhang on a substrate having a first contact pad, a second contact pad, a third contact pad, and a fourth contact pad; depositing through the patterning system a first organic layer that covers and electrically connects to the first contact pad; depositing through the patterning system a first electrode that electrically connects to the second contact pad and the first organic layer; depositing through the patterning system a second organic layer

that electrically connects to the first electrode; depositing through the patterning system a second electrode that electrically connects to the third contact pad and the second organic layer; depositing through the patterning system an insulating layer on top of the second electrode; depositing through the patterning system a third electrode on top of the insulating layer that electrically connects to the fourth contact pad, and is electrically insulated from the second electrode by the insulating layer; depositing through the patterning system a third organic layer that electrically connects to the third electrode; and depositing through the patterning system a fourth electrode that electrically connects to the second contact pad and the third organic layer.

BRIEF DESCRIPTION OF THE DRAWINGS

FIG. 1a shows a top view of a patterning system as used to deposit a layer from an angle onto a stationary substrate in accordance with an embodiment of the present invention.

FIG. 1b shows a cross-section of the patterning system of FIG. 1a.

FIG. 1c shows a top view of the patterning system of FIG. 1a as used to deposit a layer from an angle onto a rotating substrate in accordance with an embodiment of the present invention.

FIG. 1d shows a cross-section of the patterning system of FIG. 1c.

FIGS. 2a through 2p shows an embodiment of the present invention as it appears after various processing steps.

FIG. 3 shows a cross-section of a double heterostructure embodiment of the present invention.

FIG. 4 shows a cross-section of a single heterostructure embodiment of the present invention.

FIG. 5a shows a top view of an embodiment of the present invention having contact pads and transmission pads used to transmit power.

FIG. 5b shows a cross-section of the contact pads and transmission pads of FIG. 5a.

FIG. 6 shows a top view of an embodiment of the present invention having an array of pixels with the metal lines and transmission pads used to transmit power to devices fabricated on top of the pixels.

FIG. 7a shows a top view of an embodiment of the present invention having two electrodes connected a single contact pad.

FIG. 7b shows a cross section of the embodiment of FIG. 7a.

DETAILED DESCRIPTION

The present invention will be described with reference to the illustrative embodiments in the following processes and drawing figures.

A patterning system 22, comprising an insulating layer 23 and a photoresist layer 24, which has an overhang 24a and an opening 24b, can be used to deposit material onto substrate 20 in different patterns by varying the angle and direction from which the material is deposited, as well as by rotating substrate 20 about an axis 20' substantially normal to substrate 20, as will now be described with reference to FIGS. 1a through 1d.

FIGS. 1a and 1b show the angular deposition of a layer 25a onto substrate 20, which is stationary having contact pads 21, including contact pads 21A, 21B, 21C and 21D. FIG. 1a is a top view, and FIG. 1b is a cross section taken through line 1b' of FIG. 1a. Layer 25a is deposited from an

angle θ that is measured as an angle from an axis 20' normal to substrate 20, and a direction ϕ that is measured as an angle from an axis 21C'. Because substrate 20 is held stationary while layer 25a is deposited, the shape and size of layer 25a are defined by the shape and size of opening 24b in photoresist 24. Angle θ and direction ϕ determine the position of layer 25a on substrate 20. In FIGS. 1a and 1b, θ is about 30° and ϕ is about 180°, such that layer 25a is deposited over contact pad 21C, but not contact pads 21B and 21D.

FIGS. 1c and 1d show a layer 25b angularly deposited onto substrate 20 as substrate 20 is rotating about axis 20'. FIG. 1c is a top view, and FIG. 1d is a cross section taken through line 1d' of FIG. 1c. The rotation of substrate 20 causes direction ϕ from which layer 25b is deposited to change relative to substrate 20 throughout deposition, and allows layer 25b to cover a larger area of substrate 20 than would be covered if substrate 20 were held stationary. Layer 25b is deposited from an angle θ , which determines the size of layer 25b.

Patterning System

A process for fabricating patterning system 22 in accordance with an embodiment of the present invention will now be described with reference to FIGS. 1a and 1b.

- 1) Deposit an insulating layer 23. Insulating layer 23 is preferably deposited to a thickness of about 1.5 to 3 microns, and more preferably to a thickness of about 2 microns. Insulating layer 23 can be made of any insulating material that can be wet etched to form an undercut and photoresist overhang 24a. For example, insulating layer 23 can be made of SiO, SiO₂, or SiN_x deposited by e-beam or plasma enhanced chemical vapor deposition, or polyimide deposited by spinning.
- 2) Deposit photoresist layer 24 by spinning onto insulating layer 23 to a thickness of about 1 to 2 microns. Photoresist layer 24 can be made of AZ4210 or AZ4110, from Hoechst Celanese Corporation, for example.
- 3) Soft bake photoresist layer 24 at a temperature and time which depend on the layer material and the baking method. For example, if AZ4210 is used, the soft bake may be for 3 minutes at 105° C.
- 4) Selectively expose opening 24b, but not overhang 24a, to radiation and develop. While the present embodiment describes the use of a positive photoresist, i.e. a photoresist that can be removed by developer only where exposed to radiation, it is also possible to practice the present invention using negative photoresist, i.e. a photoresist that can be removed in developer only where not exposed to radiation, by exposing overhang 24a, but not opening 24b.
- 5) Wet etch insulating layer 23, creating overhang 24a. By controlling the etch temperature, etch time, etchant concentration, etchant stir speed, and the thickness to which insulating layer 23 is deposited, the size of overhang 24a can be controlled. For example, a mixture of 70 ml BOE (buffered oxide etchant) (10:1), which is 36.5% (w/w) ammonium fluoride, 4.5% (w/w) hydrofluoric acid, and 59% (w/w) deionized water, with 5 ml hydrofluoric acid (49% in deionized water) can be used at 20° C. for 4.5 minutes at a stir speed of 400 rpm to etch a 2 micron thick SiO₂ insulating layer 23 deposited by plasma enhanced chemical vapor deposition to create a 10 micron overhang 24a. A smaller overhang 24a of 2 microns can be obtained by using BOE (10:1) at 15° C. for 8 minutes with no stir on a 1.7 micron thick SiO₂ insulating layer 23 deposited by

electron beam evaporation. The etchant used to etch insulating layer **23** may not etch structures underlying insulating layer **23**, such as substrate **20** and contact pads **21**. For example, if BOE (10:1) is used to etch insulating layer **23**, substrate **20** should not be a material which would be etched by BOE, e.g. SiO₂ or SiN_x.

Stacked Organic Light Emitting Devices

FIGS. **2o** and **2p** show a three color SOLED fabricated in accordance with an embodiment of the present invention. A contact pad **21A**, a first organic layer(s) **31**, a first electrode **32**, a second organic layer(s) **33**, a second electrode **34**, a third organic layer(s) **35** and a third electrode **36** are stacked in that order. A protective cap **38** covers any exposed surface of organic layer(s) **31**, **33** and **35**, and electrodes **32**, **34** and **36**. First organic layer(s) **31** is disposed between and electrically connected to contact pad **21A** and first electrode **32**. Second organic layer(s) **33** is disposed between and electrically connected to first electrode **32** and second electrode **34**. Third organic layer(s) **35** is disposed between and electrically connected to second electrode **34** and third electrode **36**. Light emission from first organic layer(s) **31** occurs when a voltage is applied between contact pad **21A** and contact pad **21B**, which is electrically connected to first electrode **32**. Light emission from second organic layer(s) **33** occurs when a voltage is applied between contact pads **21B** and **21C**, which are electrically connected to first electrode **32** and second electrode **34**, respectively. Light emission from third organic layer(s) **35** occurs when a voltage is applied between contact pads **21C** and **21D**, which are electrically connected to second electrode **34** and third electrode **36**, respectively. The intensity of the light emitted is determined by the magnitude of the current resulting from the applied voltage. Appropriate selection of light emitting organic materials for first organic layer(s) **31**, second organic layer(s) **33** and third organic layer(s) **35**, allows device **10** to emit any of various combinations of red, green and blue light by controlling the voltages on contact pads **21A**, **21B**, **21C** and **21D**.

A process for fabricating the three color SOLED device **10** of FIGS. **2o** and **2p**, in accordance with an embodiment of the present invention, will now be described with reference to FIGS. **2a** through **2p**. While the fabrication of a single pixel is described, an entire array of pixels can be fabricated simultaneously. FIGS. **2b**, **2d**, **2f**, **2h**, **2j**, **2l**, **2n** and **2p** are cross sections taken through lines **2b'**, **2d'**, **2f'**, **2h'**, **2j'**, **2l'**, **2n'** and **2p'** of FIGS. **2a**, **2c**, **2e**, **2g**, **2i**, **2k**, **2m** and **2o**, respectively. Insulating layer **23** and photoresist layer **24** are not shown in FIGS. **2a**, **2c**, **2e**, **2g**, **2i**, **2k**, **2m** and **2o** so that device **10** can be more clearly illustrated.

FIGS. **2a** and **2b** show substrate **20** with contact pads **21** prior to the fabrication of device **10**. Substrate **20** provides a foundation upon which device **10** may be fabricated, and transmits power to device **10**. Contact pads **21** provide a convenient geometry for the transmission of power to device **10**. In one embodiment, device **10** transmits light through substrate **20** to a viewer, in which case substrate **20** and contact pad **21A** should be transparent, i.e. the material, at the thickness used, is capable of transmitting light of the wavelengths emitted by device **10**, preferably transmitting substantially all of the light emitted. If device **10** is to transmit light through substrate **20**, substrate **20** is preferably transparent glass, quartz, sapphire or plastic, and contact pad **21A** is preferably a conductive metal such as gold, silver or aluminum, preferably deposited to a thickness of about 50–200 Å and more preferably to a thickness of about 100 Å, or a conductive oxide such as ITO preferably deposited to a thickness of about 1000–2000 Å, and more preferably

to a thickness of about 1200–1500 Å. Contact pads **21B**, **21C** and **21D** need not be transparent, but are preferably made of the same materials deposited to a thickness which allows for low resistance conduction. If device **10** is to transmit light away from substrate **20**, substrate **20** may be made of an opaque material such as silicon, or a metal foil, and contact pads **21** may be made of any conductive material regardless of whether it transmits light.

- 1) A first organic layer(s) **31** is deposited onto substrate **20** from an angle $\theta_{organic}$ while substrate **20** is rotating about axis **20'**. Angle $\theta_{organic}$ of step (1) is chosen such that first organic layer(s) **31** covers contact pad **21A**, but does not cover contact pads **21B**, **21C** and **21D**, and leaves sufficient clearance for subsequently deposited first electrode **32**, second electrode **34** and third electrode **36** to form electrical connections with contact pads **21B**, **21C** and **21D**, respectively. After this step, device **10** appears as in FIGS. **2c** and **2d**.
- 2) First electrode **32** is deposited from an angle $\theta_{electrode}$ and a direction ϕ =about 0° from axis **21C'** while substrate **20** is held stationary. Angle $\theta_{electrode}$ of step (2) is greater than angle $\theta_{organic}$ of step (1) such that first electrode **32** extends past first organic layer(s) **31** and forms an electrical connection with contact pad **21B**. After this step, device **10** appears as in FIGS. **2e** and **2f**.
- 3) A second organic layer(s) **33** is deposited onto substrate **20** from an angle $\theta_{organic}$ while substrate **20** is rotating about axis **20'**. Angle $\theta_{organic}$ of step (3) is chosen such that second organic layer(s) **33** does not cover contact pads **21C** and **21D**, and leaves sufficient clearance for subsequently deposited second electrode **34** and third electrode **36** to form an electrical connection with contact pads **21C** and **21D**, respectively. After this step, device **10** appears as in FIGS. **2g** and **2h**.
- 4) Second electrode **34** is deposited from an angle $\theta_{electrode}$ and a direction ϕ =about 180° from axis **21C'** while substrate **20** is held stationary. Angle $\theta_{electrode}$ of step (4) is greater than angle $\theta_{organic}$ of steps (1) and (3) such that second electrode **34** extends past first organic layer(s) **31** and second organic layer(s) **33** and forms an electrical connection with contact pad **21C**. After this step, device **10** appears as in FIGS. **2i** and **2j**.
- 5) A third organic layer(s) **35** is deposited onto substrate **20** from an angle $\theta_{organic}$ while substrate **20** is rotating about axis **20'**. Angle $\theta_{organic}$ of step (5) is chosen such that third organic layer(s) **35** does not cover contact pad **21D**, and leaves sufficient clearance for subsequently deposited third electrode **36** to form an electrical connection with contact pad **21D**. After this step, device **10** appears as in FIGS. **2k** and **2l**.
- 6) Third electrode **36** is deposited from an angle $\theta_{electrode}$ and a direction ϕ =about 90° from axis **21C'** while substrate **20** is held stationary. Angle $\theta_{electrode}$ of step (6) is greater than angle $\theta_{organic}$ of steps (1), (3) and (5) such that third electrode **36** extends past first organic layer(s) **31**, second organic layer(s) **33** and third organic layer(s) **35** and forms an electrical connection with contact pad **21D**. After this step, device **10** appears as in FIGS. **2m** and **2n**.
- 7) Optionally, protective layer is deposited from an angle $\theta_{protect}$ while substrate **20** is rotating about axis **20'**. Angle $\theta_{protect}$ should be greater than angles $\theta_{organic}$ and $\theta_{electrode}$ of all preceding steps such that device **10** is completely covered by protective layer **38**. Protective layer **38** protects device **10** from subsequent exposure

to deleterious substances. Protective layer **38** should be made of a nonconductive material because it may touch more than one of contact pads **21**, first electrode **32**, second electrode **34**, and third electrode **36**. Preferably, protective layer **38** is made of teflon deposited to a thickness of approximately 2000–5000 Å, more preferably to a thickness of about 4000–5000 Å, and most preferably to a thickness of about 5000 Å. The use of a protective layer is described in U.S. application Ser. No. _____, attorney docket no. 10020/14, entitled “Method of Fabricating and Patterning OLEDs,” by Tian, Burrows and Forrest, filed concurrently herewith, which is incorporated by reference. After this step, device **10** appears as in FIGS. **2o** and **2p**.

The angle “ $\theta_{electrode}$ ” used in forgoing process steps (2), (4) and (6) may be the same in each of the steps, or may be different. One of skill in the art is able to determine the appropriate angle $\theta_{electrode}$ for each step depending on the desired position of the particular electrode deposited in that step. Similarly, the angle “ $\theta_{organic}$ ” organic used in forgoing process steps (1), (3) and (5) may be the same in each of the steps, or may be different, depending upon the desired position of the particular organic layer(s) deposited in that step. The deposition angle θ may also be varied within a step to affect the geometry of the deposited organic layer(s) or electrode.

While the present embodiment describes the fabrication of a SOLED with three independently controllable emissive organic layers, i.e., first organic layer(s); **31**, second organic layer(s) **33** and third organic layer(s) **35**, devices with different configurations may be fabricated. For example by omitting steps (3) through (6), a single OLED may be fabricated. By omitting steps (5) and (6), a two color SOLED may be fabricated. By adding steps between steps (6) and (7) of the present embodiment, a four color SOLED may be fabricated, i.e., deposit an additional organic layer in accordance with step (5), and an additional electrode in accordance to step (6), but from a direction θ =about 270°, both between steps (6) and (7) of the present embodiment. The additional organic layer and electrode would result in a stack of four independently controllable OLEDs. Embodiments with different numbers of stacked OLEDs will require a different number of contact pads **21**, the number of contact pads **21** required being one greater than the number of independently controllable emissive layers.

First electrode **32** and second electrode **34** should be transparent and should be thin enough to minimize the absorption of light, yet thick enough to have a low resistivity. First electrode **32** and second electrode **34** may be made of any material that is both transparent and conductive at the thickness used. Preferably, first electrode **32** and second electrode **34** are ITO/metal layers as disclosed by PCT Application WO 96/19792, which is incorporated by reference. In an embodiment where light is transmitted through third electrode **36** to a viewer, third electrode **36** is preferably made of materials and thickness preferred for first electrode **32** and second electrode **34**. In an embodiment where light is transmitted through substrate **20** to a viewer, third electrode **36** is preferably made of a thick metal such as Mg/Ag, In, Ag or Au, as disclosed by PCT Application WO 96/19792, which is incorporated by reference, that reflects incident light emitted by organic layers **31**, **33** and **35** back towards substrate **20** and the viewer.

First organic layer(s) **31**, second organic layer(s) **33** and third organic layer(s) **35** may be made of any suitable organic light emitting material known to the art. For example, suitable organic emitting materials are described in

PCT Application WO 96/19792 and U.S. Pat. No. 5,294,870, which are incorporated by reference. Typical organic light emitting materials are transparent to light in the visible spectrum, i.e. the light emitted by organic layer(s) **31**, **33** and **35**, so any stacking order may be used. In the embodiment where light is transmitted through substrate **20** to a viewer, light emitted by organic layer(s) **35** passes through more layers and interfaces before reaching the viewer and may be attenuated more than light emitted by organic layer(s) **33**, which in turn may be attenuated more than light emitted by organic layer(s) **31**, before reaching the viewer. As a result, it is preferred that the organic material with the most efficient emission be used in organic layer(s) **35**, and that the organic material with the least efficient emission be used in organic layer(s) **31**. Using the most common OLED materials, this means that it is, preferred that first organic layer(s) **31** emit red light, second organic layer(s) **33** emit green light, and third organic layer(s) **35** emit blue light. However, other stacking orders can be used. If any of the organic light emitting materials used are not transparent to the light emitted by the other organic light emitting materials, the order of organic layer(s) **31**, **33** and **35** should be such that the material that is not transparent does not block light emitted by other materials from reaching the viewer.

Each of first organic layer(s) **31**, second organic layer(s) **33** and third organic layer(s) **35** may each comprise a single emission layer **31E**, **33E** and **35E**, respectively, or may comprise the multiple layers of a double or single heterostructure configuration, as disclosed by Patent Application PCT WO 19792, which is incorporated by reference. Any combination of single layer, single heterostructure, or double heterostructure may be used.

FIG. **3** shows a double heterostructure configuration for first organic layer(s) **31**. In the double heterostructure embodiment, first organic layer(s) **31** comprises three distinct layers, an emission layer (“EL”) **31E** sandwiched between a hole transport layer (“HTL”) **31H** and an electron transport layer (“ETL”) **31T**. A three color SOLED device **10** having a first organic layer(s) **31** that is double heterostructure may be fabricated by following the steps of the process for fabricating a three color SOLED device **10**, wherein step 1 comprises the steps of sequentially depositing HTL **31H**, EL **31E**, and ETL **31T**, all from an angle of about $\theta_{organic}$ while substrate **20** is rotating about axis **20'**. HTL **31H**, EL **31E**, and ETL **31T** are transparent because of their composition and minimal thickness. Typical thicknesses for OLED layers include the following: HTL **31H** may be about 50 Å to 1000 Å thick; EL **31E** may be about 50 Å to 1000 Å thick; ETL **31T** may be about 50 Å to 1000 Å thick, although variations from these ranges are possible. The lower ends of the above ranges allow optimum performance and low voltage operation. Examples of suitable organic ETL, EL, and HTL materials can be found in U.S. Pat. No. 5,294,870, and PCT Application WO 96/19792, which are incorporated by reference.

If a single heterostructure, rather than a double heterostructure, configuration is used, EL **31E** and ETL **31T** of the double heterostructure configuration are replaced by a single multifunctional layer **31ET** as shown in FIG. **4**. Alternatively, HTL **31H** and EL **31E** may be replaced by a single multifunctional layer. A three color SOLED device **10D** having a first organic layer(s) **31** that is single heterostructure may be fabricated by following the steps of the process for fabricating a three color SOLED device **10**, wherein step 1 comprises the steps of sequentially depositing HTL **31H** and EL/ETL **31E/T**, all from an angle $\theta_{organic}$

while substrate **20** is rotating about axis **20'**. An example of a suitable organic multifunctional material can be found in PCT Application WO 96/19792, which is incorporated by reference. DH OLEDs often permit higher efficiencies than SH OLEDs.

In a single or double heterostructure configuration, the ordering within first organic layer(s) **31**, second organic layer(s) **33**, and third organic layer(s) **35** may be inverted, i.e. in a double heterostructure configuration, organic layer (s) **31** may be deposited in the order: ETL **31T**, EL **31E**, and HTL **31H**, instead of HTL **31H**, EL **31E**, and ETL **31T**, and in a single heterostructure configuration, organic layer(s) **31** may be deposited in the order: EL/ETL **31 E/T** followed by HTL **31H**. An OLED with inverted layers is referred to as an organic inverted LED, or OILED. The biasing of contact pad **21A**, first electrode **32**, second electrode **34** and third electrode **36** should be such that an anode contacts organic layers through which holes are transported, and a cathode contacts organic layers through which electrons are to be transported, i.e., in a double heterostructure configuration that has not been inverted, contact pad **21A** should be an anode, which transports electrons away from HTL **31H**, and first electrode **32** should be a cathode, which transports electrons to ETL **31T**.

FIGS. **5a** and **5b** show an embodiment of the present invention in which a pixel **60**, over which a device **10** will be fabricated, has contact pads **21A**, **21B**, **21C** and **21D** electrically connected to transmission pads **41**, i.e., transmission pads **41A**, **41B**, **41C** and **41D**, respectively. FIG. **5b** shows a cross section of FIG. **5a** taken through line **5b'**. The voltage at contact pads **21** is controlled by controlling the voltage at transmission pads **41**, as will be discussed with reference to FIG. **6**.

FIG. **6** shows an embodiment of the present invention having an array of pixels **60**, over which an array of devices **10** (not shown) may be fabricated. Each pixel **60** has transmission pads **41A**, **41B**, **41C** and **41D** (contact pads **21A**, **21B**, **21C** and **21D**, are not shown in FIG. **6** for clarity, but are present as described with reference to FIG. **5**).

Transmission pads **41A**, **41B**, **41C** and **41D** are electrically connected to a multiplexing controller **43** by metal lines **45** embedded in substrate **20** (not shown in FIG. **6**), such that the voltage of each transmission pad **41A**, **41C** and **41D** underneath each device **10** may be independently controlled. Transmission pads **41B** of each pixel **60** are held at a reference voltage V_0 , i.e., ground. Transmission pads **41**, multiplexing controller **43** and metal lines **45**, may be fabricated using any means known in the art. In the embodiment where device **10** transmits light through substrate **20** to a viewer, transmission pads **41** and metal lines **45** are preferably small enough that they do not significantly affect the light transmitted to the viewer.

FIG. **7** shows a three color SOLED device **100** having more than one electrode held at the same reference voltage, i.e., ground, fabricated in accordance with an embodiment of the present invention. FIG. **7b** is a cross section of FIG. **7a** taken through line **7b'**. A contact pad **121A**, a first organic layer(s) **110**, a first electrode **112**, a second organic layer(s) **114**, a second electrode **116**, an insulating layer **118**, a third electrode **120**, a third organic layer(s) **122**, and a fourth electrode **124** are stacked in that order. A protective cap (not shown) similar to protective cap **38** as shown in FIGS. **2o** and **2p** may be used to protect device **100**. First organic layer(s) **110** is disposed between and electrically connected to contact pad **121A** and first electrode **112**. Second organic layer(s) **114** is disposed between and electrically connected to first electrode **112** and second electrode **116**. Insulation

layer **118** is disposed between and prevents electrical connection between second electrode **116** and third electrode **120**. Third organic layer(s) **122** is disposed between and electrically connected to third electrode **120** and fourth electrode **124**. First electrode **112** and fourth electrode **124** are electrically connected to each other and to contact pad **121B**. Contact pad **121B**, and hence first electrode **112** and fourth electrode **124**, are held at a reference voltage, i.e., ground. Second electrode **116** is electrically connected to contact pad **121C**, and third electrode **120** is electrically connected to contact pad **121D**. The voltage at contact pads **121A**, **121C** and **121D** can be independently controlled. Each of the organic layer(s) in this embodiment is therefore electrically connected between two electrodes, one of which is electrically connected to ground, and the other of which is electrically connected to a contact pad at which the voltage can be independently controlled. Light emission from first organic layer(s) **110** occurs when a voltage is applied between contact pad **121A**, having an independently controllable voltage, and first electrode **112**, which is electrically connected to contact pad **121B** and held at ground voltage. Light emission from second organic layer(s) **114** occurs when a voltage is applied between second electrode **116**, which is electrically connected to contact pad **121C** having an independently controllable voltage, and first electrode **112**, which is electrically connected to contact pad **121B** and held at ground voltage. Light emission from third organic layer(s) **122** occurs when a voltage is applied between third electrode **120**, which is electrically connected to contact pad **121D** having an independently controllable voltage, and fourth electrode **124**, which is electrically connected to contact pad **121B** and held at ground voltage. The intensity of the light emitted is determined by the magnitude of the current resulting from the applied voltage. Appropriate selection of light emitting organic materials for first organic layer(s) **110**, second organic layer(s) **114** and third organic layer(s) **122**, allows device **100** to emit any of various combinations of red, green and blue light by controlling the voltages on contact pads **121A**, **121B**, **121C** and **121D**.

The present invention may also be used to fabricate transparent OLEDs (TOLEDs), where the entire device is transparent to visible light. Such a device would be well suited for use in a heads up display, for example on a windshield for a car, a visor for a motorcycle or airplane helmet, or a cockpit window. TOLED devices can also be stacked to enhance intensity.

In one embodiment, the present invention may also be used to fabricate an organic device **10** designed to emit light to a viewer on the same side of substrate **20** as device **10**. Substrate **20** need not be transparent in this embodiment, and a reflective layer may be deposited onto substrate **20** prior to the fabrication of device **10** in order to reflect light incident upon substrate **20** back towards the viewer. However, third electrode **36** and protective cap **38** should be transparent, and a reflective layer should not be deposited after third electrode **36**. Also, it is preferable that the ordering of the colors of organic layer(s) **31**, **33** and **35** should be reversed, i.e. that first organic layer(s) **31** emit red, second organic layer(s) **33** emit green, and third organic layer(s) emit blue, because in this embodiment, the last deposited layers will be closest to the viewer, not the first deposited layers.

The deposition techniques for any of the above-listed methods are well known in the art. For example, a preferred method of depositing the organic layers is by thermal evaporation; a preferred method of depositing metal layers is by thermal or electron-beam evaporation; a preferred

method of depositing ITO is by electron-beam evaporation or sputtering. However, the present invention contemplates the use of any method of depositing layers of material suitable for use with a photoresist system.

The present invention can be used in a wide variety of consumer products, including computers, televisions, telecommunications devices with a display component, vehicles, billboards, signs, large area wall, theatre, and stadium screens, xerography, heads up displays for windshields, cockpits and helmet visors, and video games.

The subject invention as disclosed herein may be used in conjunction with co-pending applications: "High Reliability, High Efficiency, Integratable Organic Light Emitting Devices and Methods of Producing Same", Ser. No. 08/774,119 (filed Dec. 23, 1996); "Novel Materials for Multicolor LED's", Ser. No. 08/850,264 (filed May 2, 1997); "Electron Transporting and Light Emitting Layers Based on Organic Free Radicals", Ser. No. 08/774,120 (filed Dec. 23, 1996); "Multicolor Display Devices", Ser. No. 08/772,333 (filed Dec. 23, 1996); "Red-Emitting Organic Light Emitting Devices (LED's)", Ser. No. 08/774,087 (filed Dec. 23, 1996); "Driving Circuit For Stacked Organic Light Emitting Devices", Ser. No. 08/792,050 (filed Feb. 3, 1997); "High Efficiency Organic Light Emitting Device Structures", Ser. No. 08/772,332 (filed Dec. 23, 1996); "Vacuum Deposited, Non-Polymeric Flexible Organic Light Emitting Devices", Ser. No. 08/789,319 (filed Jan. 23, 1997); "Displays Having Mesa Pixel Configuration", Ser. No. 08/794,595 (filed Feb. 3, 1997); "Stacked Organic Light Emitting Devices", Ser. No. 08/792,046 (filed Feb. 3, 1997); "High Contrast Transparent Organic Light Emitting Device Display", Ser. No. 08/821,380 (filed Mar. 20, 1997); "Organic Light Emitting Devices Containing A Metal Complex of 5-Hydroxy-Quinoxaline as A Host Material", Ser. No. 08/838,099 (filed Apr. 15, 1997); "Light Emitting Devices Having High Brightness", Ser. No. 08/844,353 (filed Apr. 18, 1997); "Organic Semiconductor Laser", Ser. No. 60/046,061 (filed May 9, 1997); "Organic Semiconductor Laser", Ser. No. 08/859,468 (filed May 19, 1997); "Saturated Full Color Stacked Organic Light Emitting Devices", Ser. No. 08/858,994 (filed May 20, 1997); "An Organic Light Emitting Device Containing a Hole Injection Enhancement layer", Ser. No. 08/865,491 (filed May 29, 1997); "Plasma Treatment of Conductive Layers", Ser. No. PCT/US97/10252; (filed Jun. 12, 1997); "Patterning of Thin Films for the Fabrication of Organic Multi-Color Displays", Ser. No. PCT/US97/10289 (filed Jun. 12, 1997); "Double Heterostructure Infrared and Vertical Cavity Surface Emitting Organic Lasers", Ser. No. 60/053,176 (filed Jul. 18, 1997); "Oleds Containing Thermally Stable Asymmetric Charge Carrier Materials", Ser. No. 08/929,029 (filed Sep. 8, 1997); "Light Emitting Device with Stack of Oleds and Phosphor Downconverter", Ser. No. 08/925,403 (filed Sep. 9, 1997); "An Improved Method for Depositing Indium Tin Oxide Layers in Organic Light Emitting Devices", Ser. No. 08/928,800 (filed Sep. 12, 1997); "Azlactone-Related Dopants in the Emissive Layer of an Oled" (filed Oct. 9, 1997), Ser. No. 08/948,130, "A Highly Transparent Organic Light Emitting Device Employing A Non-Metallic Cathode", (filed Nov. 3, 1997), Attorney Docket No. 10020/40 (Provisional), "A Highly Transparent Organic Light Emitting Device Employing a Non-Metallic Cathode", (filed Nov. 5, 1997), Attorney Docket No. 10020/44, and "Low Pressure Vapor Phase Deposition of Organic Thin Films" (filed Nov. 17, 1997), Attorney Docket No. 10020/37, each co-pending application being incorporated herein by reference in its entirety.

The subject invention may also be used in conjunction with the subject matter of each of copending U.S. patent

application Ser. Nos. 08/354,674, 08/613,207, 08/632,322 and 08/693,359 and provisional patent application Ser. Nos. 60/010,013, 60/024,001 and 60/025,501, each of which is also incorporated herein by reference in its entirety.

What is claimed is:

1. A method of fabricating an organic thin film device, comprising the steps of:

- creating a patterning system having an insulation layer and a photoresist layer with a photoresist overhang on a substrate having a plurality of contact pads;
- depositing through the patterning system a first electrode that electrically connects to a first contact pad of said plurality of contact pads;
- depositing through the patterning system an organic layer that significantly overlaps and electrically connects to the first electrode; and
- depositing through the patterning system a second electrode that significantly overlaps and electrically connects to the first organic layer, and electrically connects to a second contact pad of said plurality of contact pads.

2. The method of claim 1, wherein the voltage at each contact pad can be independently controlled.

3. The method of claim 2, wherein the voltage at one of the contact pads is set to a ground voltage.

4. The method of claim 1, wherein the organic layer comprises an organic emission layer.

5. The method of claim 1, wherein the organic layer comprises an organic emission layer electrically connected to an organic hole transport layer.

6. The method of claim 1, wherein the organic layer comprises an organic emission layer electrically connected between an organic hole transport layer and an organic electron transport layer.

7. The method of claim 1, further comprising the step of depositing a protective cap after said step of depositing an organic layer.

8. A method of fabricating a stacked organic thin film device, comprising the steps of:

- creating a patterning system having an insulation layer and a photoresist layer with a photoresist overhang on a substrate having a first contact pad, a second contact pad, a third contact pad, and a fourth contact pad;
- depositing through the patterning system a first organic layer that covers and electrically connects to the first contact pad;
- depositing through the patterning system a first electrode that electrically connects to the second contact pad, and significantly overlaps and electrically connects to the first organic layer;
- depositing through the patterning system a second organic layer that significantly overlaps and electrically connects to the first electrode;
- depositing through the patterning system a second electrode that electrically connects to the third contact pad, and significantly overlaps and electrically connects to the second organic layer;
- depositing through the patterning system a third organic layer that significantly overlaps and electrically connects to the second electrode; and
- depositing through the patterning system a third electrode that electrically connects to the fourth contact pad, and significantly overlaps and electrically connects to the third organic layer.

9. The method of claim 8, wherein the first, second and third organic emission layers are deposited while the sub-

13

strate is rotating from angles $\theta_{organic}$, $\theta_{organic2}$, and $\theta_{organic3}$, respectively, as measured from an axis substantially normal to the substrate, and the first, second and third electrodes are deposited while the substrate is stationary from angles $\theta_{electrode1}$, $\theta_{electrode2}$, and $\theta_{electrode3}$, respectively, as measured from the axis substantially normal to the substrate, and wherein angle $\theta_{electrode1}$ is larger than angle $\theta_{organic1}$, angle $\theta_{electrode2}$ is larger than angles $\theta_{organic1}$ and $\theta_{organic2}$, and angle $\theta_{electrode3}$ is larger than angles $\theta_{organic1}$, $\theta_{organic2}$ and $\theta_{organic3}$.

10. A method of fabricating a stacked organic thin film device, comprising the steps of:

- a. creating a patterning system having an insulation layer and a photoresist layer with a photoresist overhang on a substrate having a first contact pad, a second contact pad, a third contact pad, and a fourth contact pad;
- b. depositing through the patterning system a first organic layer that covers and electrically connects to the first contact pad;
- c. depositing through the patterning system a first electrode that electrically connects to the second contact pad, and significantly overlaps and electrically connects to the first organic layer;
- d. depositing through the patterning system a second organic layer that significantly overlaps and electrically connects to the first electrode;

14

- e. depositing through the patterning system a second electrode that electrically connects to the third contact pad, and significantly overlaps and electrically connects to the second organic layer;
 - f. depositing through the patterning system an insulating layer on top of the second electrode;
 - g. depositing through the patterning system a third electrode on top of the insulating layer that electrically connects to the fourth contact pad, and is electrically insulated from the second electrode by the insulating layer;
 - h. depositing through the patterning system a third organic layer that significantly overlaps and electrically connects to the third electrode; and
 - i. depositing through the patterning system a fourth electrode that electrically connects to the second contact pad, and significantly overlaps and electrically connects to the third organic layer.
- 11.** The method of claim **10**, wherein the stacked organic light emitting device is transparent.
- 12.** The method of claim **10**, wherein the first organic emission layer is a blue emitting organic layer, the second organic emission layer is a green emitting organic layer, and the third organic emission layer is a red emitting organic layer.

* * * * *

UNITED STATES PATENT AND TRADEMARK OFFICE
CERTIFICATE OF CORRECTION

PATENT NO. : 5,953,587
DATED : September 14, 1999
INVENTOR(S) : Stephen R. Forrest, et al

It is certified that error appears in the above-identified patent and that said Letters Patent is hereby corrected as shown below: -- Government Rights --

Column 1, line 3, after NO., delete "F33615-94-11444" and insert - F33615-94-1-1414--.

Column 1, lines 39 and 42, change "photoablation" to - photo-ablation -.

Column 2, line 30, change "pads;," to - pads; -.

Column 4, line 12, change "11d" to - 1d -.

Column 8, line 60, change "31ET" to - 31E/T -.

Column 10, line 20, change "1 12," to - 112, -.

Column 11, line 3, change "m, thod" to - method -.

Column 13, line 1, change "θ_{rganic}," to -- θ_{rganic}l ---.

Signed and Sealed this

Nineteenth Day of December, 2000

Attest:



Q. TODD DICKINSON

Attesting Officer

Commissioner of Patents and Trademarks