



US008986780B2

(12) **United States Patent**  
**Bulovic et al.**

(10) **Patent No.:** **US 8,986,780 B2**  
(45) **Date of Patent:** **Mar. 24, 2015**

(54) **METHOD AND APPARATUS FOR DEPOSITING LED ORGANIC FILM**

(75) Inventors: **Vladimir Bulovic**, Lexington, MA (US);  
**Marc A. Baldo**, Cambridge, MA (US);  
**Martin A. Schmidt**, Reading, MA (US);  
**Valerie Gassend**, San Carlos, CA (US);  
**Jianglong Chen**, San Jose, CA (US)

(73) Assignee: **Massachusetts Institute of Technology**,  
Cambridge, MA (US)

(\* ) Notice: Subject to any disclaimer, the term of this patent is extended or adjusted under 35 U.S.C. 154(b) by 779 days.

(21) Appl. No.: **13/088,323**

(22) Filed: **Apr. 15, 2011**

(65) **Prior Publication Data**

US 2012/0015104 A1 Jan. 19, 2012

**Related U.S. Application Data**

(63) Continuation of application No. 13/050,907, filed on Mar. 17, 2011, now abandoned, which is a continuation of application No. 11/282,472, filed on Nov. 21, 2005, now Pat. No. 8,128,753.

(60) Provisional application No. 60/629,312, filed on Nov. 19, 2004.

(51) **Int. Cl.**  
**B05D 3/04** (2006.01)  
**B05D 1/12** (2006.01)  
**H01L 51/00** (2006.01)  
**H01L 51/56** (2006.01)

(52) **U.S. Cl.**  
CPC ..... **H01L 51/0011** (2013.01); **B05D 1/12** (2013.01); **H01L 51/56** (2013.01)  
USPC ..... **427/189**; **427/255.6**

(58) **Field of Classification Search**  
CPC ..... H01L 51/0011; B05D 1/12  
USPC ..... 427/248.1, 255.6, 162, 189  
See application file for complete search history.

(56) **References Cited**

**U.S. PATENT DOCUMENTS**

- 4,238,807 A 12/1980 Bovio et al.
- 4,751,531 A 6/1988 Saito et al.
- 5,041,161 A 8/1991 Cooke et al.
- 5,116,148 A 5/1992 Ohara et al.
- 5,155,502 A 10/1992 Kimura et al.
- 5,172,139 A 12/1992 Sekiya et al.
- 5,202,659 A 4/1993 DeBonte et al.
- 5,247,190 A 9/1993 Friend et al.
- 5,405,710 A 4/1995 Dodabalapur et al.
- 5,574,485 A 11/1996 Anderson et al.
- 5,623,292 A 4/1997 Shrivasta
- 5,703,436 A 12/1997 Forrest et al.
- 5,707,745 A 1/1998 Forrest et al.
- 5,731,828 A 3/1998 Ishinaga et al.
- 5,781,210 A 7/1998 Hirano et al.
- 5,801,721 A 9/1998 Gandy et al.

- 5,834,893 A 11/1998 Bulovic et al.
- 5,844,363 A 12/1998 Gu et al.
- 5,865,860 A 2/1999 Delnick
- 5,947,022 A 9/1999 Freeman et al.
- 5,956,051 A 9/1999 Davies et al.
- 6,013,982 A 1/2000 Thompson et al.
- 6,062,668 A 5/2000 Cruz-Uribe
- 6,065,825 A 5/2000 Anagnostopoulos et al.
- 6,086,195 A 7/2000 Bohorquez et al.
- 6,086,196 A \* 7/2000 Ando et al. .... 347/95
- 6,086,679 A 7/2000 Lee et al.
- 6,087,196 A 7/2000 Sturm et al.
- 6,091,195 A 7/2000 Forrest et al.
- 6,095,630 A 8/2000 Horii et al.
- 6,097,147 A 8/2000 Baldo et al.
- 6,189,989 B1 2/2001 Hirabayashi et al.
- 6,250,747 B1 6/2001 Hauck
- 6,257,706 B1 7/2001 Ahn
- 6,294,398 B1 9/2001 Kim et al.
- 6,303,238 B1 10/2001 Thompson et al.
- 6,312,083 B1 11/2001 Moore
- 6,326,224 B1 12/2001 Xu et al.
- 6,337,102 B1 1/2002 Forrest et al.
- 6,431,702 B2 8/2002 Ruhe

(Continued)

**FOREIGN PATENT DOCUMENTS**

- EP 1 626 103 2/2006
- JP 06-122201 5/1994

(Continued)

**OTHER PUBLICATIONS**

- Ling, Mang Mang, et al., "Thin Film Deposition, Patterning, and Printing in Organic Thin Film Transistors". Chem. Mater. 2004, 16, 4824-4840.\*
- Schwambers, M., "Optimizing OVPD technology towards lowest OLED manufacturing cost". Proc. of ASID '06, Oct. 8-12, New Delhi, pp. 1-4.\*
- Street et al., "Jet Printing of Active-Matrix TFT Backplanes for Displays and Sensors", IS&T Archiving, Dec. 2005, vol. 20, No. 5, 16 pages.
- Chin, Byung Doo, "Effective Hole Transport Layer Structure for Top Emitting Devices Based on Laser Transfer Patterning," Journal of Physics D: Applied Physics, 2007, vol. 40, pp. 5541-5546.
- Elwenspoek et al., "Silicon Micromachining," Aug. 2004, Cambridge University, Cambridge, U.K. ISBN 0521607671. [Abstract].
- Forrest, Stephen R., "The Path to Ubiquitous and Low-cost Organic Electronic Appliances on Plastic," Nature, Apr. 29, 2004, vol. 428, 8 pages.

(Continued)

*Primary Examiner* — Bret Chen

(57) **ABSTRACT**

The disclosure relates to a method for depositing an organic film layer on a substrate. In one implementation a method to deposit organic film by generating vaporized organic particles; streaming a carrier fluid proximal to a source to carry the vaporized organic particles and solid organic particles from the source towards the substrate; transporting the vaporized and solid organic particles through a discharge nozzle with a plurality of micro-pore openings, placed between the source and the substrate, that permits the passage of at least a portion of the vaporized or solid organic particles through the micro-pores; depositing the vaporized organic particles and the solid organic particles that are transported through the discharge nozzle onto the substrate.

**7 Claims, 5 Drawing Sheets**

(56)

References Cited

U.S. PATENT DOCUMENTS

6,444,400 B1 9/2002 Cloots et al.  
 6,453,810 B1 9/2002 Rossmeisl et al.  
 6,460,972 B1 10/2002 Trauernicht et al.  
 6,467,863 B1 10/2002 Imanaka et al.  
 6,468,819 B1 10/2002 Kim et al.  
 6,472,962 B1 10/2002 Guo et al.  
 6,498,802 B1 12/2002 Chu et al.  
 6,513,903 B2 2/2003 Sharma et al.  
 6,548,956 B2 4/2003 Forrest et al.  
 6,562,405 B2 5/2003 Eser et al.  
 6,576,134 B1 6/2003 Agner  
 6,586,763 B2 7/2003 Marks et al.  
 6,601,936 B2 8/2003 McDonald  
 6,666,548 B1 12/2003 Teshima  
 6,811,896 B2 11/2004 Aziz et al.  
 6,824,262 B2 11/2004 Kubota et al.  
 6,861,800 B2 3/2005 Tyan et al.  
 6,896,346 B2 5/2005 Trauernicht et al.  
 6,911,671 B2 6/2005 Marcus et al.  
 6,917,159 B2 7/2005 Tyan et al.  
 6,982,005 B2 1/2006 Eser et al.  
 7,023,013 B2 4/2006 Ricks et al.  
 7,077,513 B2 7/2006 Kimura et al.  
 7,247,394 B2 7/2007 Hatwar et al.  
 7,374,984 B2 5/2008 Hoffman  
 7,377,616 B2 5/2008 Sakurai  
 7,404,862 B2 7/2008 Shtein et al.  
 7,406,761 B2 8/2008 Jafri et al.  
 7,410,240 B2 8/2008 Kadomatsu et al.  
 7,431,435 B2 10/2008 Lopez et al.  
 7,431,968 B1 10/2008 Shtein et al.  
 7,530,778 B2 5/2009 Yassour et al.  
 7,592,043 B2 \* 9/2009 Burrows et al. .... 427/248.1  
 7,603,439 B2 10/2009 Yassour et al.  
 7,604,439 B2 10/2009 Yassour et al.  
 7,648,230 B2 1/2010 Kachi  
 7,677,690 B2 3/2010 Takatsuka  
 7,802,537 B2 9/2010 Kang et al.  
 7,857,121 B2 12/2010 Yassour  
 7,883,832 B2 2/2011 Colburn et al.  
 7,908,885 B2 3/2011 Devitt  
 8,128,753 B2 3/2012 Bulovic et al.  
 8,137,459 B2 \* 3/2012 Paton et al. .... 117/89  
 2001/0045973 A1 11/2001 Sharma et al.  
 2002/0008732 A1 1/2002 Moon et al.  
 2002/0187567 A1 \* 12/2002 Yamazaki et al. .... 438/11  
 2002/0191063 A1 12/2002 Han  
 2003/0000476 A1 1/2003 Matsunaga et al.  
 2003/0087471 A1 \* 5/2003 Shtein et al. .... 438/82  
 2003/0175414 A1 9/2003 Hayashi  
 2003/0192471 A1 \* 10/2003 Jurgensen et al. .... 117/89  
 2003/0230980 A1 12/2003 Forrest et al.  
 2004/0009304 A1 1/2004 Pichler  
 2004/0048000 A1 3/2004 Shtein et al.  
 2004/0048183 A1 3/2004 Teshima  
 2004/0056244 A1 3/2004 Marcus et al.  
 2004/0086631 A1 5/2004 Han  
 2004/0171779 A1 \* 9/2004 Matyjaszewski et al. . 526/303.1  
 2004/0174116 A1 9/2004 Lu et al.  
 2004/0202794 A1 10/2004 Yoshida  
 2005/0005850 A1 1/2005 Yamazaki et al.  
 2005/0190220 A1 9/2005 Lim et al.  
 2005/0223994 A1 10/2005 Blomiley et al.  
 2005/0255249 A1 11/2005 Schlatterbeck  
 2006/0012290 A1 1/2006 Kang  
 2006/0038852 A1 2/2006 Cornell  
 2006/0099345 A1 \* 5/2006 Grace et al. .... 427/255.6  
 2006/0110526 A1 \* 5/2006 Ng et al. .... 427/66  
 2006/0115585 A1 6/2006 Bulovic et al.  
 2007/0040877 A1 2/2007 Kachi  
 2007/0058010 A1 3/2007 Nagashima  
 2007/0098891 A1 5/2007 Tyan et al.  
 2007/0134512 A1 6/2007 Klubek et al.  
 2007/0286944 A1 12/2007 Yokoyama et al.  
 2008/0174235 A1 7/2008 Kim et al.

2008/0238310 A1 10/2008 Forrest et al.  
 2008/0299311 A1 12/2008 Shtein et al.  
 2008/0308037 A1 12/2008 Bulovic et al.  
 2008/0311289 A1 12/2008 Bulovic et al.  
 2008/0311296 A1 12/2008 Shtein et al.  
 2008/0311307 A1 12/2008 Bulovic et al.  
 2009/0031579 A1 2/2009 Piatt et al.  
 2009/0045739 A1 2/2009 Kho et al.  
 2009/0115706 A1 5/2009 Hwang et al.  
 2009/0167162 A1 7/2009 Liu et al.  
 2009/0220680 A1 9/2009 Winters  
 2010/0055810 A1 3/2010 Sung et al.  
 2010/0079513 A1 4/2010 Taira et al.  
 2010/0171780 A1 7/2010 Madigan et al.  
 2010/0188457 A1 7/2010 Madigan et al.  
 2010/0201749 A1 8/2010 Somekh et al.  
 2010/0310424 A1 12/2010 Rose et al.  
 2011/0008541 A1 1/2011 Madigan et al.  
 2011/0057171 A1 3/2011 Adamovich et al.  
 2011/0181644 A1 7/2011 Bulovic et al.  
 2011/0267390 A1 11/2011 Bulovic et al.  
 2011/0293818 A1 12/2011 Madigan et al.

FOREIGN PATENT DOCUMENTS

JP 08-216401 8/1996  
 JP 09-248918 9/1997  
 JP 2002-069650 3/2002  
 JP 2005-286069 10/2005  
 JP 2006-123551 5/2006  
 JP 2006-150900 6/2006  
 JP 2007-076168 3/2007  
 JP 2007-095343 4/2007  
 JP 2007-299616 11/2007  
 JP 05-255630 10/2009  
 KR 100232852 12/1999  
 KR 10-2008-0060111 7/2007  
 WO WO 2005/090085 9/2005

OTHER PUBLICATIONS

C. Ducso, et al. "Porous Silicon Bulk Micromachining for Thermally Isolated Membrane Formation," *Sensors and Actuators A*, 1997, vol. 60, pp. 235-239.  
 C. Tsamis, et al. "Thermal Properties of Suspended Porous Micro-hotplates for Sensor Applications," *Sensor and Actuators B*, 2003, vol. 95, pp. 78-82.  
 J. Lee, et al. "Differential Scanning Calorimeter Based on Suspended Membrane Single Crystal Silicon Microhotplate," *Journal of Microelectromechanical Systems*, Dec. 2008, vol. 17, No. 6, pp. 1513-1525.  
 J. C. Belmonte, et al. "High-temperature Low-power Performing Micromachined Suspended Micro-hotplate for Gas Sensing Applications," *Sensors and Actuators B*, 2006, vol. 114, pp. 826-835.  
 G.S. Chung, "Fabrication and Characterization of Micro-heaters with Low-power Consumption using SOI membrane and Trench Structures," *Sensors and Actuators A*, 2004, vol. 112, pp. 55-60.  
 Geoffroy et al., "Organic Light-emitting Diode (OLED) Technology: Material Devices and Display Technologies," *Polymer International*, Jun. 2006, vol. 55, pp. 572-582. (Abstract only).  
 Huang et al., "Reducing Blueshift of Viewing Angle for Top-Emitting Organic Light-Emitting Devices," Dec. 6, 2008, 3 pages.  
 J. Lee, et al. "Cavity Effects on Light Extraction in Organic Light emitting Devices," *Applied Physics Letters*, Jan. 24, 2008, vol. 92, No. 3, 5 pages.  
 Leblanc et al., "Micromachined Printheads for the Evaporative Patterning of Organic Materials and Metals," *Journal of Microelectromechanical Systems*, Apr. 2007, vol. 16, No. 2, 7 pp. 1-139.  
 Lindermann et al., "Thermal Bubble Jet Printhead with Integrated Nozzle Plate," NIP20: International Conference on Digital Printing Technologies, Oct. 2004, pp. 834-839.

(56)

**References Cited**

## OTHER PUBLICATIONS

S.H. Kim et al., "Fabrication and Characterization of co-planar type MEMS Structures on SiO<sub>2</sub>/Si<sub>3</sub>N<sub>4</sub> Membrane for Gas Sensors with Dispensing Method Guided by Micromachined Wells," Journal of Electroceramicx, 2006, vol. 17, No. 2-4, pp. 995-998.

Chen, Jianglong, "Novel Patterning Techniques for Manufacturing Organic and Nanostructured Electronics," M.S. Materials Science and Engineering, Massachusetts Institute of Technology, 2003, pp. 1-206.

Chen, Jingkuang et al., "A High-Resolution Silicon Monolithic Nozzle Array for Inkjet Printing," IEEE Transactions on Electron Devices, vol. 44, No. 9, Sep. 1997, pp. 1401-1409.

Chen et al., "Evaporative Deposition of Molecular Organics in Ambient with a Molecular Jet Printer," Digital Fabrication, Sep. 2006, pp. 63-65 (Abstract Only).

Chen et al., "Ambient Environment Patterning of Organic Thin Films by a Second Generation Molecular Jet (MoJet) Printer," Progress Report 2006-2007, Oct. 2007, pp. 26-6; 26-7.

International Search Report issued on Dec. 15, 2010 for PCT Application No. PCT/US10/020144.

International Search Report issued on Sep. 2, 2010 for PCT Application No. PCT/US10/033315.

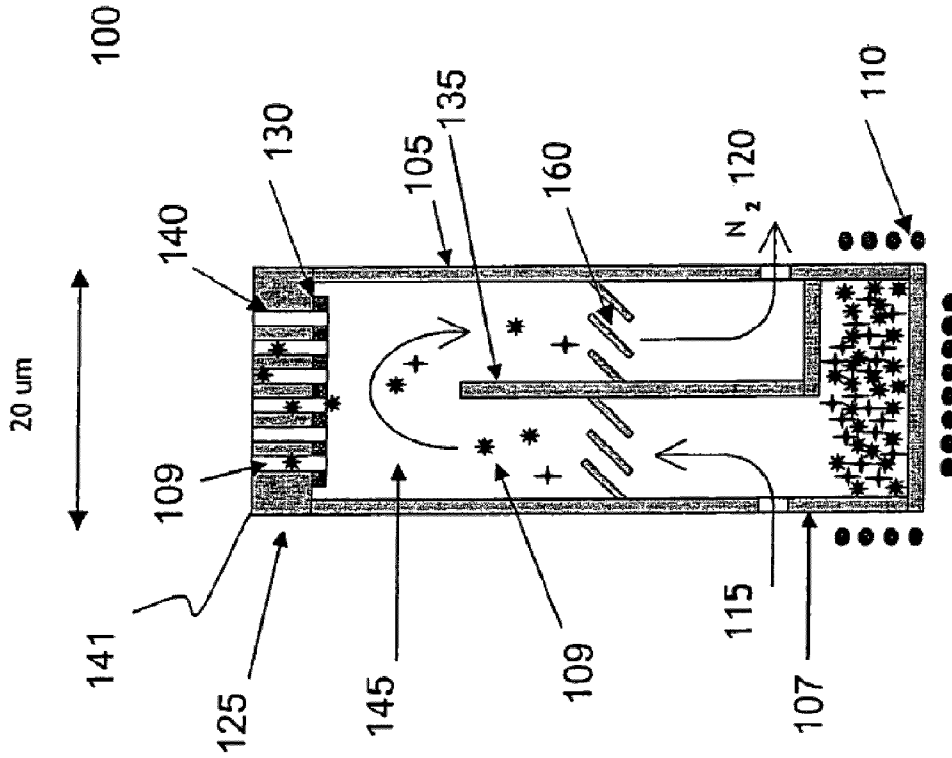
International Search Report and Written Opinion issued on Mar. 24, 2011 for PCT Application No. PCT/US10/058145.

International Preliminary Report on Patentability issued on Dec. 17, 2009 for PCT Application No. PCT/US08/66975.

International Preliminary Report on Patentability issued on Dec. 7, 2009 for PCT Application No. PCT/US08/066991.

International Preliminary Report on Patentability issued on Dec. 17, 2009 for PCT Application No. PCT/US08/67002.

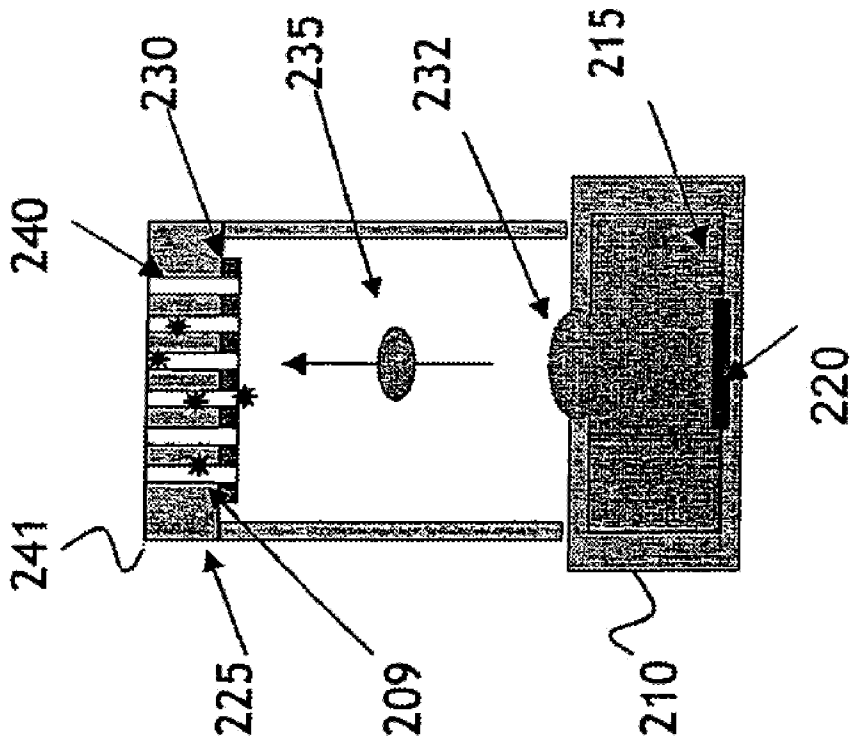
\* cited by examiner



Functional Blocks:

1. Material Delivery to a Local Evaporator  
(gas delivery of evaporated material)
2. On -Demand Local Evaporation
  - to minimize substrate heating
  - to maximize material use
  - to minimize nozzle clogging

Fig. 1



Functional Blocks

1. Material Delivery to a Local Evaporator  
(liquid delivery of solvated material)
2. On -Demand Local Evaporation
  - to minimize substrate heating
  - to maximize material use
  - to minimize nozzle clogging

Fig. 2

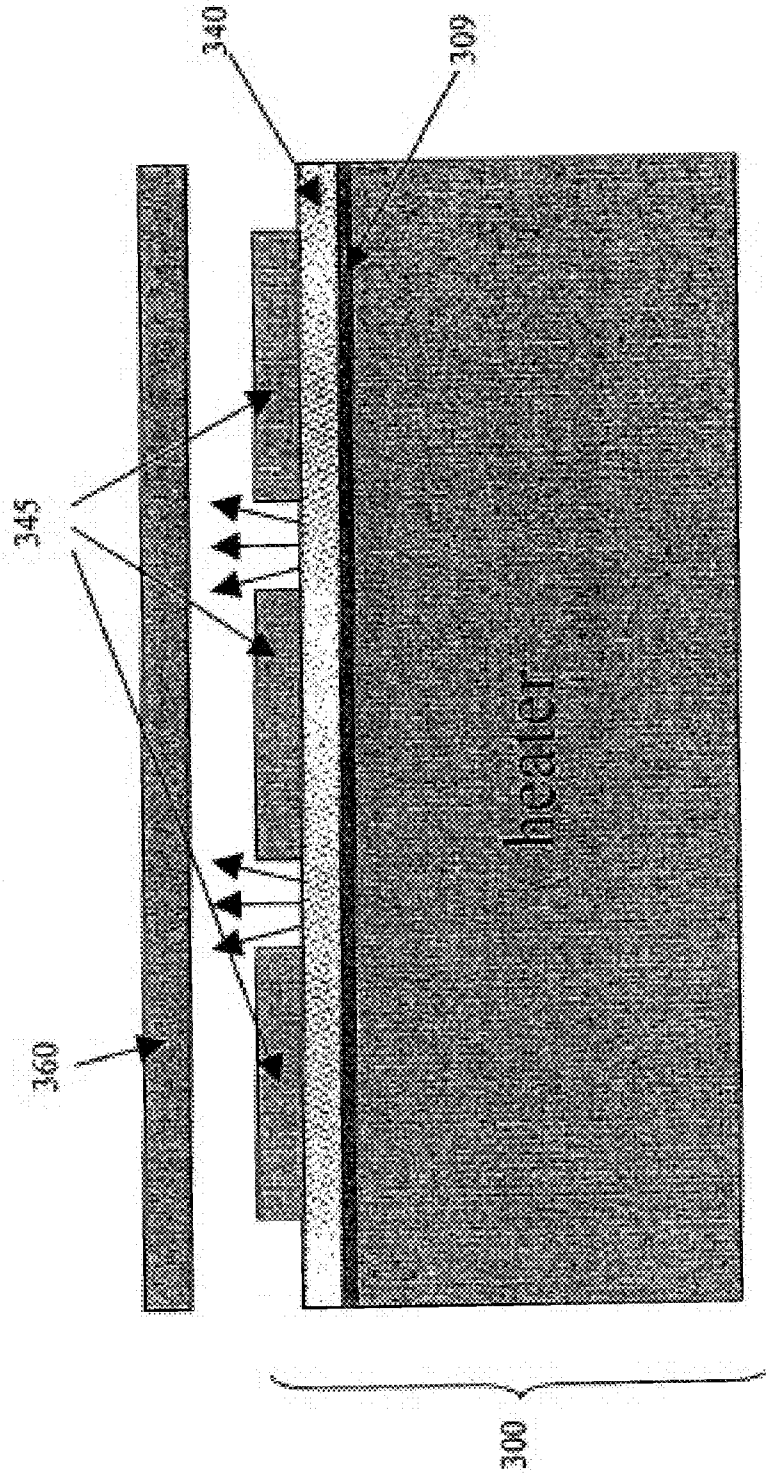


Fig. 3

Fig. 4

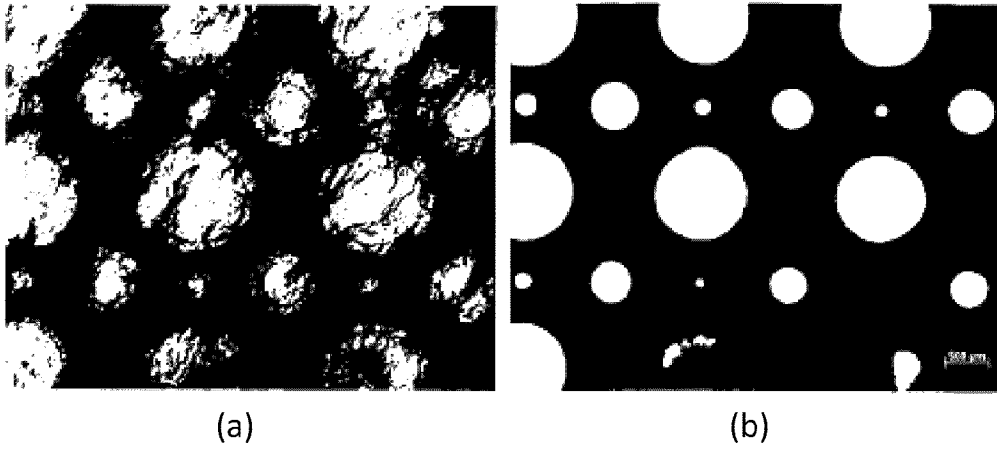


Fig. 5

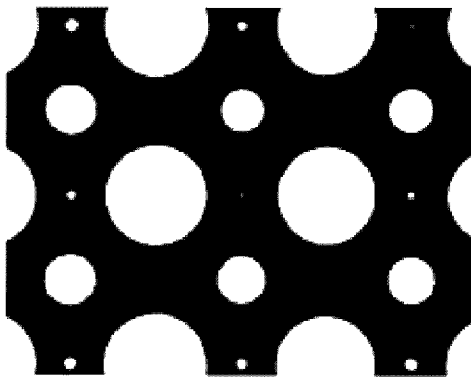
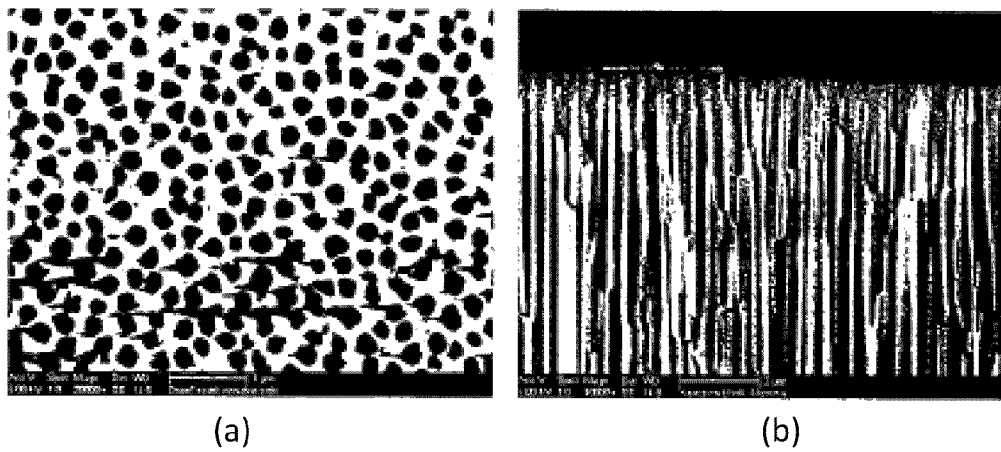


Fig. 6



(a) cross-section and (b) top view

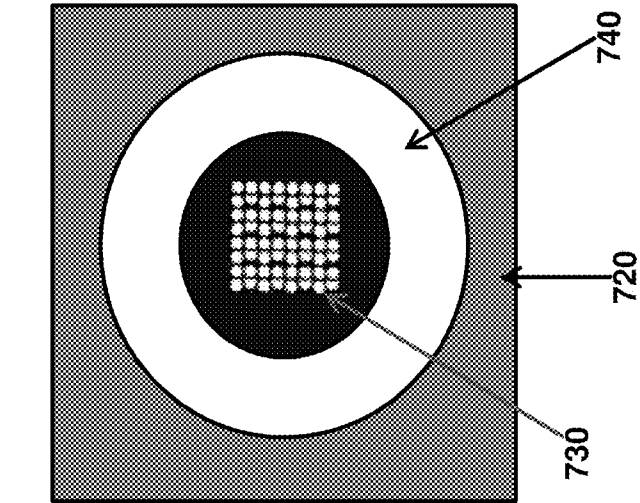


Fig. 7B

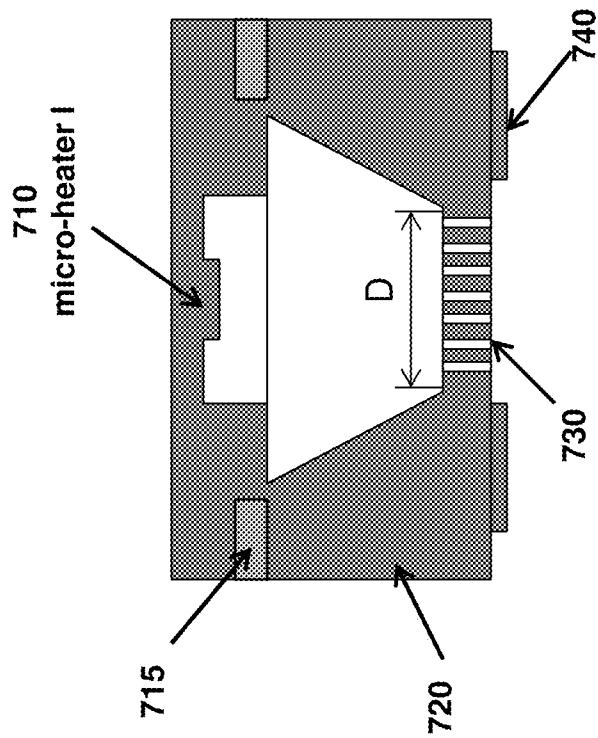


Fig. 7A



## METHOD AND APPARATUS FOR DEPOSITING LED ORGANIC FILM

This instant application is a continuation of both U.S. Non-Provisional Application Ser. No. 11/282,472 filed Nov. 21, 2005 and U.S. Non-Provisional Application Ser. No. 13/050,907 filed Mar. 17, 2011 and claims the filing-date priority to U.S. Provisional Application No. 60/629,312, filed Nov. 19, 2004.

### BACKGROUND

The disclosure relates to a method and apparatus for depositing an organic film on a substrate. Manufacturing light emitting diode (LED) cell requires depositing of two thin organic films on a substrate and coupling each of the thin films to an electrode. Conventionally, the deposition step is carried out by evaporating the desired organic film on the substrate. The film thickness is a prime consideration. The layer thickness is about 100 nm and each layer is optimally deposited to an accuracy of about  $\pm 10$  nm. As a result, conventional apparatus form multiple layers on a substrate with each layer having a thickness of about 10 nm. A combination of these layers will form the overall film. Because the organic constituents of the LED are often suspended in a solvent, removing the solvent prior to depositing each layer is crucial. A small amount of solvent in one layer of deposited organic thin film can cause contamination and destruction of the adjacent layers. Conventional techniques have failed to address this deficiency.

Another consideration in depositing organic thin films of an LED device is placing the films precisely at the desired location. Conventional technologies use shadow masking to form LED films of desired configuration. The shadow masking techniques require placing a well-defined mask over a region of the substrate followed by depositing the film over the entire substrate. Once deposition is complete, the shadow mask is removed to expose the protected portions of the substrate. Since every deposition step starts by forming a shadow mask and ends with removing and discarding the mask, a drawback of shadow masking technique is inefficiency.

### SUMMARY OF THE DISCLOSURE

In one embodiment the disclosure relates to an apparatus for depositing an organic material on a substrate, the apparatus comprising: a source heater for heating organic particles to form suspended organic particles; a transport stream for delivering the suspended organic particles to a discharge nozzle, the discharge nozzle having a plurality of micro-pores, the micro-pores providing a conduit for passage of the suspended organic particles; and a nozzle heater for pulsatingly heating the nozzle to discharge the suspended organic particles from the discharge nozzle.

According to another embodiment, the disclosure relates to a method for depositing a layer of substantially solvent-free organic material on a substrate, comprising heating the organic material to form a plurality of suspended organic particles; delivering the suspended organic particles to a discharge nozzle, the discharge nozzle having a plurality of micro-pores for receiving the suspended organic particles; and energizing the discharge nozzle to pulsatingly eject the suspended organic particles from the discharge nozzle. Organic particle may include an organic molecule or a molecular aggregate.

According to another embodiment, the disclosure relates to a method for depositing a layer of organic material on a substrate. The organic material may be suspended in solvent to provide crystal growth or to convert an amorphous organic structure into a crystalline structure. The method can include heating the organic material to form a plurality of suspended organic particles; delivering the suspended organic particles to a discharge nozzle, the discharge nozzle having a plurality of micro-pores for receiving the suspended organic particles; and energizing the discharge nozzle to pulsatingly eject the suspended organic particles from the discharge nozzle. Organic particle may include an organic molecule or a molecular aggregate.

According to still another embodiment, the disclosure relates to an apparatus for depositing an organic compound on a substrate comprising a chamber having a reservoir for receiving the organic compound, the chamber having an inlet and an outlet for receiving a transport gas; a discharge nozzle having a plurality of micro-porous conduits for receiving the organic compound delivered by the transport gas; and an energy source coupled to the discharge nozzle to provide pulsating energy adapted to discharge at least a portion of the organic compound from one of the micro-porous conduits to a substrate.

In yet another embodiment, an apparatus for depositing an organic compound comprises a chamber having a reservoir for housing the organic material dissolved in a solvent, the reservoir separated from the chamber through an orifice; a discharge nozzle defined by a plurality of micro-porous conduits for receiving the organic compound communicated from the reservoir; and an energy source coupled to the discharge nozzle providing pulsating energy for discharging at least a portion of the organic compound from one of the micro-porous conduits to a substrate; and a delivery path connecting the chamber and the nozzle. The organic compound may be substantially free of solvent. Alternatively, the organic compound may include in solvent. In a solvent-based system, the solvent discharge from the nozzle provides the added benefit of cooling the nozzle upon discharge.

In still another embodiment, a micro-porous nozzle for depositing an organic composition on a substrate includes a thermal source communicating energy to organic material interposed between the heater and a porous medium, the porous medium having an integrated mask formed thereon to define a deposition pattern.

### BRIEF DESCRIPTION OF THE DRAWINGS

FIG. 1 is a schematic representation of a discharge apparatus for discharging organic compounds, or its mixture, according to one embodiment of the disclosure;

FIG. 2 is a schematic representation of a discharge apparatus for discharging organic compounds according to another embodiment of the disclosure;

FIG. 3 schematically illustrates a discharge nozzle according to one embodiment of the disclosure;

FIGS. 4A and 4B show an image printed according to one embodiment of the disclosure;

FIG. 5 is a photoluminescence image of a pattern printed by molecular jet printer system;

FIGS. 6A and 6B show the surface and the cross section, respectively, of a porous medium; and

FIGS. 7A and 7B illustrate a molecular jet printing apparatus according one embodiment of the disclosure in cross-sectional and top views, respectively.

### DETAILED DESCRIPTION

In one embodiment, the disclosure relates to a method and apparatus for depositing a pure organic thin film, or a mixed

organic film, or an organic thin film mixed with inorganic particles, or inorganic thin film on a substrate. Such films can be used, among others, in the design and construction of organic LED.

FIG. 1 is a schematic representation of a discharge apparatus for discharging organic compounds, or its mixture, according to one embodiment of the disclosure. Referring to FIG. 1, exemplary apparatus for depositing an organic material on a substrate includes housing 105 having discharge nozzle 125 at one end and a reservoir 107 at another end. Reservoir 107 may contain organic constituents required for forming an LED film. The organic constituent may be liquid or solid. Heat source 110 is provided to heat reservoir 107 and the content thereof. Heat source 110 can provide heating of about 100-700.degree. C.

Housing 105 may optionally include inlet 115 and outlet 120. The inlet and outlet can be defined by a flange adapted to receive a carrier gas (interchangeably, transport gas.) In one embodiment, the carrier gas is an inert gas such as nitrogen or argon. Delivery path 135 can be formed within housing 105 to guide the flow of the carrier gas. Thermal shields 160 may be positioned to deflect thermal radiation from heat source 110 to thereby protect discharge nozzle 125 and organic particles contained therein.

In the exemplary embodiment of FIG. 1, the discharge section includes discharge nozzle 125 and nozzle heater 130. Among others, the discharge nozzle can be formed from anodized porous aluminum oxide or porous silicon membranes or other solid membranes. Such material are capable of blocking organic material from escaping through the porous medium when the organic material is delivered onto the porous medium's surface. Discharge nozzle 125 includes rigid portions 141 separated by micro-pores 140. Micro-pores 140 block organic material from escaping through the medium until the medium is appropriately activated. Depending on the desired application, micro-pores 140 can provide conduits (or passages) in the order of micro- or nano-pores. In one embodiment, the pore size is in the range of about 5 nm-100 microns. In another embodiment pores are about 100 nm to about 10 microns. Nozzle heater 130 is positioned proximal to the discharge nozzle 125. When activated, nozzle heater 130 provides a pulse of energy, for example as heat, to discharge nozzle 125. The activation energy of the pulse dislodges organic material 109 contained within micro-pores 140.

In a method according to one embodiment of the disclosure, reservoir 107 is commissioned with organic material suitable for LED deposition. The organic material may be in liquid or solid form. Source heater 110 provides heat adequate to evaporate the organic material and form suspended particles 109. By engaging a carrier gas inlet 115, suspended particles 109 are transported through thermal shields 160 toward discharge nozzle 125. The carrier gas is directed to gas outlet 120 through delivery path 135. Particles 109 reaching discharge nozzle are lodged in micro-pores 130. Activating nozzle heater 130 to provide energy to discharge nozzle 125 can cause ejection of organic particles 109 from the discharge nozzle. Nozzle heater 130 can provide energy in cyclical pulses. The intensity and the duration of each pulse can be defined by a controller (not shown.) The activating energy can be thermal energy. A substrate can be positioned immediately adjacent to discharge nozzle 125 to receive the ejected organic particles. Applicants have discovered that the exemplary embodiment shown in FIG. 1 can form a thick organic film on a substrate with great accuracy. The embodiment of FIG. 1 is also advantageous in that it can substantially

reduce substrate heating, minimizes local clogging and provide the most efficient use of organic material.

FIG. 2 is a schematic representation of a discharge apparatus for discharging organic compounds according to another embodiment of the disclosure. Referring to FIG. 2, apparatus 200 is adapted for forming an organic film substantially free from solvent. Apparatus 200 includes reservoir 210 for receiving organic solution 215. In one embodiment, organic solution 215 contains organic material dissolved in a solvent. Thermal resistor 220 is positioned proximal to reservoir 210 to heat organic solution 215. Orifice 232 separates reservoir 210 from discharge nozzle 225. Discharge nozzle 225 comprises micro-pores 240 separated by rigid sections 241.

Because of the size of orifice 232, surface tension of organic solution prevents discharge of organic solution 215 from the reservoir until appropriately activated. Once thermal resistor 220 is activated, energy in the form of heat causes evaporation of droplet 235 within a chamber of apparatus 200. Solvents have a lower vapor pressure and evaporate rapidly. Once evaporates, organic compound within droplet 235 is transported to discharge nozzle 225. Discharge nozzle 225 receives the organic material 209 within micro-pores 240. The solvent can be recycled back to organic solution 215 or can be removed from the chamber (not shown). By activating nozzle heater 230, micro-pores 240 dislodge organic particles 209, thereby forming a film on an immediately adjacent substrate (not shown.) In one embodiment, nozzle heater 230 can be activated in a pulse-like manner to provide heat to discharge nozzle cyclically.

FIG. 3 schematically illustrates a discharge nozzle according to one embodiment of the disclosure. In FIG. 3, discharge nozzle 300 comprises heater 330, porous medium 340 and integrated mask 345. Heater 330 is communicates pulse energy in the form of heat to organic material 309 causing dislodge thereof from porous medium 340. Integrated mask 345 effectively masks portions of the porous medium from transmitting organic ink material 309. Consequently, a film forming on substrate 360 will define a negative image of the integrated mask.

Thus, in one embodiment, the particles can be discharged from the porous medium by receiving thermal energy from a proximal resistive heater, or a thermal radiation heater, or by electrostatic force pull out of the micro-porous, or by mechanical vibration.

FIGS. 4A and 4B show an image printed according to one embodiment of the disclosure. Specifically, FIG. 4 shows the printing result using the exemplary apparatus shown in FIG. 3. The ink material is Alq3 and was pre-coated on the backside of an anodized porous alumina disc. FIG. 4A shows the LED organic printed pattern under halogen illumination. FIG. 4B shows the photoluminescence image under UV illumination.

FIG. 5 is a photoluminescence image of a pattern printed by molecular jet printer system according to another embodiment of the disclosure. FIG. 5 was obtained by using the discharge nozzle shown in FIG. 3. The ink material was Alq3. The ink material was drop cast on the backside of anodized porous alumina disc.

FIGS. 6A and 6B show the surface and the cross section, respectively, of a porous medium. The porous medium can be used according to the principles disclosed herein with a discharge nozzle or as a part of a nozzle having an integrated mask (see FIG. 3.) FIG. 6A shows the surface of the porous medium. FIG. 6B shows a cross-section of the porous medium. FIG. 6A shows a scale of 1  $\mu\text{m}$  and FIG. 6B has a scale of 2  $\mu\text{m}$ .

5

FIGS. 7A and 7B illustrate a molecular jet printing apparatus according to an embodiment of the disclosure in cross-sectional and top views, respectively. Referring to FIG. 7A, printing apparatus 700 includes micro-heater 710 which can be used as a liquid delivery system. Wafer bonding layer 715 connects the liquid delivery system to nozzle section 720. Porous openings 730 are positioned at a discharge end of nozzle 720 and micro-heaters 740 are positioned adjacent to porous openings 730 to providing energy required to eject organic material or ink from nozzle 720. FIG. 7B shows a top view of the nozzle shown in FIG. 7A including porous openings 730 and heaters 740.

While the principles of the disclosure have been illustrated in relation to the exemplary embodiments shown herein, the principles of the disclosure are not limited thereto and include any modification, variation or permutation thereof.

What is claimed is:

1. A method for depositing a layer of substantially solvent-free organic material on a substrate, comprising:

generating vaporized organic particles;

streaming a carrier fluid proximal to a source to carry the vaporized organic particles and solid organic particles from the source towards the substrate;

transporting the vaporized and solid organic particles through a discharge nozzle with a plurality of micro-pore openings, placed between the source and the sub-

6

strate, that permits the passage of at least a portion of the vaporized or solid organic particles through the micro-pores;

depositing the vaporized organic particles and the solid organic particles that are transported through the discharge nozzle onto the substrate to form a substantially solvent-free organic layer on the substrate.

2. The method of claim 1, wherein the step of generating the vaporized organic particles further comprises heating the source of organic material.

3. The method of claim 2, wherein the source is heated to a temperature of at least about 100° C.

4. The method of claim 1, wherein the step of streaming the carrier fluid proximal to the source further comprises heating the carrier fluid.

5. The method of claim 1, wherein transporting the organic particles through the micro-pores further comprises heating the discharge nozzle.

6. The method of claim 1, further comprising lodging and dislodging at least one solid organic particle at least one micro-pore.

7. The method of claim 1, further comprising pulsatingly heating the plurality of micro-pores to permit the passage of at least a portion of the vaporized or solid organic particles through the micro-pores.

\* \* \* \* \*