



US009005365B2

(12) **United States Patent**  
**Bulovic et al.**

(10) **Patent No.:** **US 9,005,365 B2**  
(45) **Date of Patent:** **\*Apr. 14, 2015**

(54) **METHOD AND APPARATUS FOR DEPOSITING LED ORGANIC FILM**

(75) Inventors: **Vladimir Bulovic**, Lexington, MA (US);  
**Marc A. Baldo**, Cambridge, MA (US);  
**Martin A. Schmidt**, Reading, MA (US);  
**Valerie Gassend**, San Carlos, CA (US);  
**Jianglong Chen**, San Jose, CA (US)

(73) Assignee: **Massachusetts Institute of Technology**,  
Cambridge, MA (US)

(\* ) Notice: Subject to any disclaimer, the term of this patent is extended or adjusted under 35 U.S.C. 154(b) by 0 days.

This patent is subject to a terminal disclaimer.

(21) Appl. No.: **13/359,434**

(22) Filed: **Jan. 26, 2012**

(65) **Prior Publication Data**

US 2012/0148743 A1 Jun. 14, 2012

**Related U.S. Application Data**

(63) Continuation of application No. 11/282,472, filed on Nov. 21, 2005, now Pat. No. 8,128,753.

(60) Provisional application No. 60/629,312, filed on Nov. 19, 2004.

(51) **Int. Cl.**  
**C23C 16/448** (2006.01)  
**C23C 16/455** (2006.01)

(Continued)

(52) **U.S. Cl.**  
CPC ..... **H01L 51/0011** (2013.01); **C23C 16/4481** (2013.01); **C23C 16/45568** (2013.01);

(Continued)

(58) **Field of Classification Search**

CPC ..... H01L 51/0011; H01L 51/56; B05D 1/12; C23C 16/04; C23C 16/042; C23C 16/18; C23C 16/448; C23C 16/4481; C23C 16/4483; C23C 16/4485; C23C 16/45565; C23C 16/45568; C23C 16/4557  
USPC ..... 118/720, 721, 726  
See application file for complete search history.

(56) **References Cited**

U.S. PATENT DOCUMENTS

3,864,161 A \* 2/1975 Thompson ..... 427/10  
4,238,807 A 12/1980 Bovio et al.

(Continued)

FOREIGN PATENT DOCUMENTS

EP 1 626 103 2/2006  
JP 06-122201 5/1994

(Continued)

OTHER PUBLICATIONS

Street et al., "Jet Printing of Active-Matrix TFT Backplanes for Displays and Sensors", IS&T Archiving, Dec. 2005, vol. 20, No. 5, 16 pages.

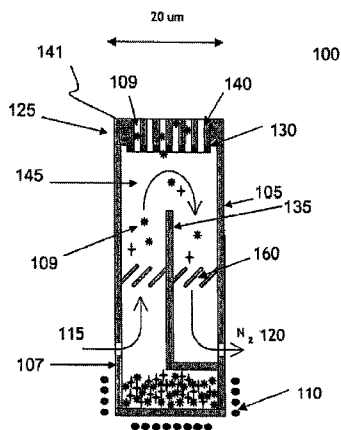
(Continued)

*Primary Examiner* — Jeffrie R Lund

(57) **ABSTRACT**

In one embodiment the disclosure relates to an apparatus for depositing an organic material on a substrate, including a source heater for heating organic particles to form suspended organic particles; a transport stream for delivering the suspended organic particles to a discharge nozzle, the discharge nozzle having a plurality of micro-pores, the micro-pores providing a conduit for passage of the suspended organic particles; and a nozzle heater for pulsatingly heating the micro-pores nozzle to discharge the suspended organic particles from the discharge nozzle.

**8 Claims, 5 Drawing Sheets**



Functional Blocks:

- 1. Material Delivery to a Local Evaporator  
(gas delivery of evaporated material)
- 2. On -Demand Local Evaporation  
-to minimize substrate heating  
-to maximize material use  
-to minimize nozzle clogging

- (51) **Int. Cl.**  
*C23C 16/04* (2006.01)  
*H01L 51/00* (2006.01)  
*B05D 1/12* (2006.01)  
*H01L 51/56* (2006.01)
- (52) **U.S. Cl.**  
 CPC ..... *C23C16/4485* (2013.01); *C23C 16/04*  
 (2013.01); *C23C 16/4483* (2013.01); *C23C*  
*16/45565* (2013.01); *C23C 16/448* (2013.01);  
*C23C 16/042* (2013.01); *B05D 1/12* (2013.01);  
*H01L 51/56* (2013.01)

(56) **References Cited**

U.S. PATENT DOCUMENTS

4,751,531 A	6/1988	Saito et al.	7,023,013 B2	4/2006	Ricks et al.
5,041,161 A	8/1991	Cooke et al.	7,077,513 B2	7/2006	Kimura et al.
5,116,148 A	5/1992	Ohara et al.	7,115,168 B2*	10/2006	Grantham et al.
5,155,502 A	10/1992	Kimura et al.	7,247,394 B2	7/2007	Hatwar et al.
5,172,139 A	12/1992	Sekiya et al.	7,374,984 B2	5/2008	Hoffman
5,202,659 A	4/1993	DeBonte et al.	7,377,616 B2	5/2008	Sakurai
5,247,190 A	9/1993	Friend et al.	7,378,133 B2*	5/2008	Yamazaki et al. .... 427/561
5,405,710 A	4/1995	Dodabalapur et al.	7,404,862 B2	7/2008	Shtein et al.
5,574,485 A	11/1996	Anderson et al.	7,406,761 B2	8/2008	Jafri et al.
5,623,292 A	4/1997	Shrivastava	7,410,240 B2	8/2008	Kadomatsu et al.
5,703,436 A	12/1997	Forrest et al.	7,431,435 B2	10/2008	Lopez et al.
5,707,745 A	1/1998	Forrest et al.	7,431,968 B1	10/2008	Shtein et al.
5,731,828 A	3/1998	Ishinaga et al.	7,530,778 B2	5/2009	Yassour et al.
5,781,210 A	7/1998	Hirano et al.	7,603,028 B2	10/2009	Yassour et al.
5,801,721 A	9/1998	Gandy et al.	7,604,439 B2	10/2009	Yassour et al.
5,834,893 A	11/1998	Bulovic et al.	7,648,230 B2	1/2010	Kachi
5,844,363 A	12/1998	Gu et al.	7,677,690 B2	3/2010	Takatsuka
5,865,860 A	2/1999	Delnick	7,744,957 B2*	6/2010	Forrest et al. .... 427/249.1
5,947,022 A	9/1999	Freeman et al.	7,802,537 B2	9/2010	Kang et al.
5,956,051 A	9/1999	Davies et al.	7,857,121 B2	12/2010	Yassour
6,013,982 A	1/2000	Thompson et al.	7,883,832 B2	2/2011	Colburn et al.
6,062,668 A	5/2000	Cruz-Uribe	7,908,885 B2	3/2011	Devitt
6,065,825 A	5/2000	Anagnostopoulos et al.	8,128,753 B2	3/2012	Bulovic et al.
6,086,195 A	7/2000	Bohorquez et al.	2001/0045973 A1	11/2001	Sharma et al.
6,086,196 A	7/2000	Ando et al.	2002/0008732 A1	1/2002	Moon et al.
6,086,679 A	7/2000	Lee et al.	2002/0191063 A1	12/2002	Gelbart et al.
6,087,196 A	7/2000	Sturm et al.	2003/0000476 A1	1/2003	Matsunaga et al.
6,091,195 A	7/2000	Forrest et al.	2003/0087471 A1*	5/2003	Shtein et al. .... 438/82
6,095,630 A	8/2000	Horii et al.	2003/0168013 A1*	9/2003	Freeman et al. .... 118/726
6,097,147 A	8/2000	Baldo et al.	2003/0175414 A1	9/2003	Hayashi
6,189,989 B1	2/2001	Hirabayashi et al.	2003/0230238 A1*	12/2003	Papadimitrakopoulos et al. .... 118/715
6,250,747 B1	6/2001	Hauck	2003/0230980 A1	12/2003	Forrest et al.
6,257,706 B1	7/2001	Ahn	2004/0009304 A1	1/2004	Pichler
6,294,398 B1	9/2001	Kim et al.	2004/0048000 A1	3/2004	Shtein et al.
6,303,238 B1	10/2001	Thompson et al.	2004/0048183 A1	3/2004	Teshima
6,312,083 B1	11/2001	Moore	2004/0056244 A1	3/2004	Marcus et al.
6,326,224 B1	12/2001	Xu et al.	2004/0062856 A1*	4/2004	Marcus et al. .... 427/66
6,337,102 B1	1/2002	Forrest et al.	2004/0086631 A1	5/2004	Han
6,431,702 B2	8/2002	Ruhe	2004/0086639 A1*	5/2004	Grantham et al. .... 427/248.1
6,444,400 B1	9/2002	Cloots et al.	2004/0174116 A1	9/2004	Lu et al.
6,453,810 B1	9/2002	Rossmesl et al.	2004/0202794 A1	10/2004	Yoshida
6,460,972 B1	10/2002	Trauernicht et al.	2005/0005850 A1	1/2005	Yamazaki
6,467,863 B1	10/2002	Imanaka et al.	2005/0087131 A1*	4/2005	Shtein et al. .... 118/715
6,468,819 B1	10/2002	Kim et al.	2005/0183670 A1*	8/2005	Grantham et al. .... 118/726
6,472,962 B1	10/2002	Guo et al.	2005/0190220 A1	9/2005	Lim et al.
6,498,802 B1	12/2002	Chu et al.	2005/0214577 A1*	9/2005	Sakamoto et al. .... 428/690
6,513,903 B2	2/2003	Sharma et al.	2005/0223994 A1	10/2005	Blomlelly et al.
6,548,956 B2	4/2003	Forrest et al.	2005/0255249 A1	11/2005	Schlatterbeck
6,562,405 B2	5/2003	Eser et al.	2006/0012290 A1	1/2006	Kang
6,576,134 B1	6/2003	Agner	2006/0038852 A1	2/2006	Cornell
6,586,763 B2	7/2003	Marks et al.	2006/0115585 A1	6/2006	Bulovic et al.
6,601,936 B2	8/2003	McDonald	2006/0118047 A1*	6/2006	Papadimitrakopoulos et al. .... 118/726
6,666,548 B1	12/2003	Sadasivan et al.	2007/0040877 A1	2/2007	Kachi
6,811,896 B2	11/2004	Aziz et al.	2007/0058010 A1	3/2007	Nagashima
6,824,262 B2	11/2004	Kubota et al.	2007/0098891 A1	5/2007	Tyan et al.
6,861,800 B2	3/2005	Tyan et al.	2007/0134512 A1	6/2007	Klubek et al.
6,896,346 B2	5/2005	Trauernicht et al.	2007/0286944 A1	12/2007	Yokoyama et al.
6,911,671 B2	6/2005	Marcus et al.	2008/0174235 A1	7/2008	Kim et al.
6,917,159 B2	7/2005	Tyan et al.	2008/0233287 A1*	9/2008	Shtein et al. .... 427/255.6
6,982,005 B2	1/2006	Eser et al.	2008/0238310 A1	10/2008	Forrest et al.
			2008/0299311 A1	12/2008	Shtein et al.
			2008/0308037 A1	12/2008	Bulovic et al.
			2008/0311289 A1	12/2008	Bulovic et al.
			2008/0311296 A1	12/2008	Shtein et al.
			2008/0311307 A1	12/2008	Bulovic et al.
			2009/0031579 A1	2/2009	Piatt et al.
			2009/0045739 A1	2/2009	Kho et al.
			2009/0115706 A1	5/2009	Hwang et al.
			2009/0167162 A1	7/2009	Lin et al.
			2009/0220680 A1	9/2009	Winters
			2010/0055810 A1	3/2010	Sung et al.
			2010/0079513 A1	4/2010	Taira et al.
			2010/0171780 A1	7/2010	Madigan et al.
			2010/0188457 A1	7/2010	Madigan et al.
			2010/0201749 A1	8/2010	Somekh et al.
			2010/0310424 A1	12/2010	Rose et al.
			2011/0008541 A1	1/2011	Madigan et al.

(56)

## References Cited

## U.S. PATENT DOCUMENTS

2011/0027481	A1 *	2/2011	Shtein et al. ....	427/255.6
2011/0057171	A1	3/2011	Adamovich et al.	
2011/0181644	A1	7/2011	Bulovic et al.	
2011/0262624	A1 *	10/2011	Bulovic et al. ....	427/66
2011/0267390	A1	11/2011	Bulovic et al.	
2011/0293818	A1	12/2011	Madigan et al.	
2012/0015104	A1 *	1/2012	Bulovic et al. ....	427/248.1
2012/0038705	A1 *	2/2012	Madigan et al. ....	347/20
2012/0056923	A1 *	3/2012	Vronsky et al. ....	347/12
2012/0086764	A1 *	4/2012	Golda et al. ....	347/200
2012/0148743	A1 *	6/2012	Bulovic et al. ....	427/248.1
2013/0153866	A1 *	6/2013	Chen et al. ....	257/40

## FOREIGN PATENT DOCUMENTS

JP	08-216401	8/1996
JP	09-248918	9/1997
JP	2002-069650	3/2002
JP	2005-286069	10/2005
JP	2006-123551	5/2006
JP	2006-150900	6/2006
JP	2007-076168	3/2007
JP	2007-095343	4/2007
JP	2007-299616	11/2007
JP	05-255630	10/2009
KR	100232852	12/1999
KR	10-2008-0060111	7/2007
WO	WO 2005/090085	9/2005

## OTHER PUBLICATIONS

Chin, Byung Doo, "Effective Hole Transport Layer Structure for Top Emitting Devices Based on Laser Transfer Patterning," *Journal of Physics D: Applied Physics*, 2007, vol. 40, pp. 5541-5546.

Elwenspoek et al., "Silicon Micromachining," Aug. 2004, Cambridge University, Cambridge, U.K. ISBN 0521607671. [Abstract].

Forrest, Stephen R., "The Path to Ubiquitous and Low-cost Organic Electronic Appliances on Plastic," *Nature*, Apr. 29, 2004, vol. 428, 8 pages.

C. Ducso, et al. "Porous Silicon Bulk Micromachining for Thermally Isolated Membrane Formation," *Sensors and Actuators A*, 1997, vol. 60, pp. 235-239.

C. Tsamis, et al. "Thermal Properties of Suspended Porous Micro-hotplates for Sensor Applications," *Sensors and Actuators B*, 2003, vol. 95, pp. 78-82.

J. Lee, et al. "Differential Scanning Calorimeter Based on Suspended Membrane Single Crystal Silicon Microhotplate," *Journal of Microelectromechanical Systems*, Dec. 2008, vol. 17, No. 6, pp. 1513-1525.

J. C. Belmonte, et al. "High-temperature Low-power Performing Micromachined Suspended Micro-hotplate for Gas Sensing Applications," *Sensors and Actuators B*, 2006, vol. 114, pp. 826-835.

G.S. Chung, "Fabrication and Characterization of Micro-heaters with Low-power Consumption using SOI membrane and Trench Structures," *Sensors and Actuators A*, 2004, vol. 112, pp. 55-60.

Geffroy et al., "Organic Light-emitting Diode (OLED) Technology: Material Devices and Display Technologies," *Polymer International*, Jun. 2006, vol. 55, pp. 572-582. (Abstract only).

Huang et al., "Reducing Blueshift of Viewing Angle for Top-Emitting Organic Light-Emitting Devices," Dec. 6, 2008, 3 pages.

J. Lee, et al. "Cavity Effects on Light Extraction in Organic Light emitting Devices," *Applied Physics Letters*, Jan. 24, 2008, vol. 92, No. 3, 5 pages.

Leblanc et al., "Micromachined Printheads for the Evaporative Patterning of Organic Materials and Metals," *Journal of Microelectromechanical Systems*, Apr. 2007, vol. 16, No. 2, 7 pp. 1-139.

Lindermann et al., "Thermal Bubble Jet Printhead with Integrated Nozzle Plate," NIP20: International Conference on Digital Printing Technologies, Oct. 2004, pp. 834-839.

National Institute of Industrial Research (NIIR), *Handbook on Printing Technology (Offset, Gravure, flexo, Screen)* 2nd edition, 2011, ISBN 97881782330877.

S.H. Kim et al. "Fabrication and Characterization of co-planar type MEMS Structures on SiO<sub>2</sub>/sI<sub>3</sub>n<sub>4</sub> Membrane for Gas Sensors with Dispensing Method Guided by Micromachined Wells," *Journal of Electroceramics*, 2006, vol. 17, No. 2-4, pp. 995-998.

Chen, Jianglong, "Novel Patterning Techniques for Manufacturing Organic and Nanostructured Electronics," M.S. Materials Science and Engineering, Massachusetts Institute of Technology, 2003, pp. 1-206.

Chen, Jingkuang et al., "A High-Resolution Silicon Monolithic Nozzle Array for Inkjet Printing," *IEEE Transactions on Electron Devices*, vol. 44, No. 9, Sep. 1997, pp. 1401-1409.

Chen et al., "Evaporative Deposition of Molecular Organics in Ambient with a Molecular Jet Printer," *Digital Fabrication*, Sep. 2006, pp. 63-65 (Abstract only).

Chen et al., "Ambient Environment Patterning of Organic Thin Films by a Second Generation Molecular Jet (MoJet) Printer," *Progress Report 2006-2007*, Oct. 2007, pp. 26-6; 26-7.

International Search Report issued on Dec. 15, 2010 for PCT Application No. PCT/US10/020144.

International Search Report issued on Sep. 2, 2010 for PCT Application No. PCT/US10/033315.

International Search Report and Written Opinion issued on Mar. 24, 2011 for PCT Application No. PCT/US10/058145.

International Preliminary Report on Patentability issued on Dec. 17, 2009 for PCT Application No. PCT/US08/66975.

International Preliminary Report on Patentability issued on Dec. 7, 2009 for PCT Application No. PCT/US08/066991.

International Preliminary Report on Patentability issued on Dec. 17, 2009 for PCT Application No. PCT/US08/67002.

EP Examination Report dated Jul. 30, 2010 issued for EP Patent Application 08771068.7.

CN Office Action dated Oct. 12, 2010 issued for CN Patent Application 200880020197.8.

CN Second Office Action dated Jun. 22, 2011 issued for CN Patent Application 200880020197.8.

EP Examination Report dated Jul. 13, 2010 issued for EP Patent Application 08771094.3.

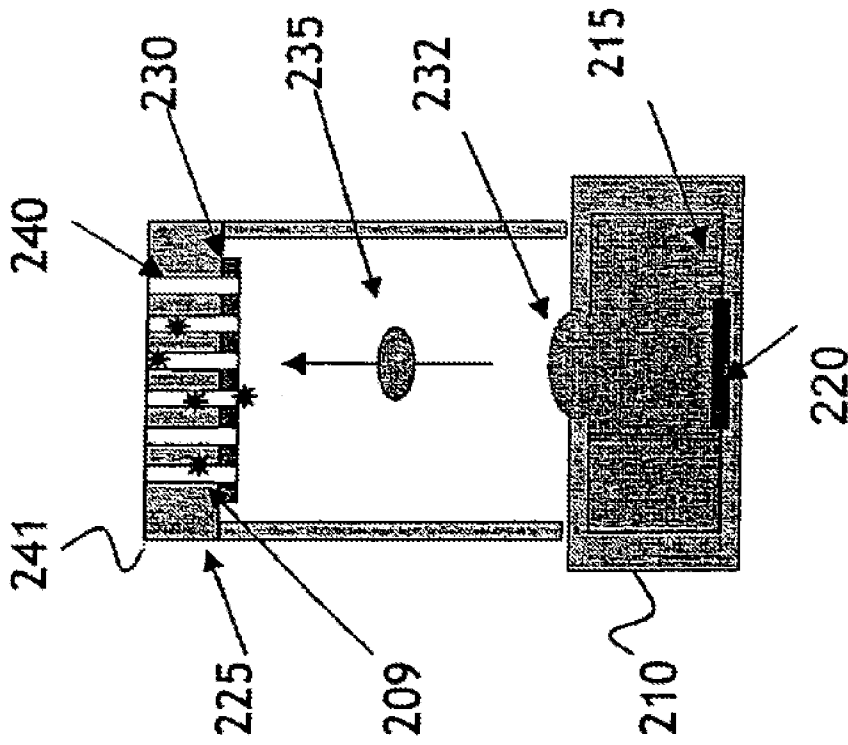
CN Office Action dated Dec. 17, 2010 issued for CN Patent Application 200880020151.6.

EP Examination Report dated Jul. 13, 2010 issued for EP Patent Application 08771084.4.

CN Office Action dated Jan. 12, 2011 issued for CN Patent Application 200880019990.6.

\* cited by examiner





Functional Blocks

1. Material Delivery to a Local Evaporator  
(liquid delivery of solvated material)
2. On -Demand Local Evaporation
  - to minimize substrate heating
  - to maximize material use
  - to minimize nozzle clogging

Fig. 2

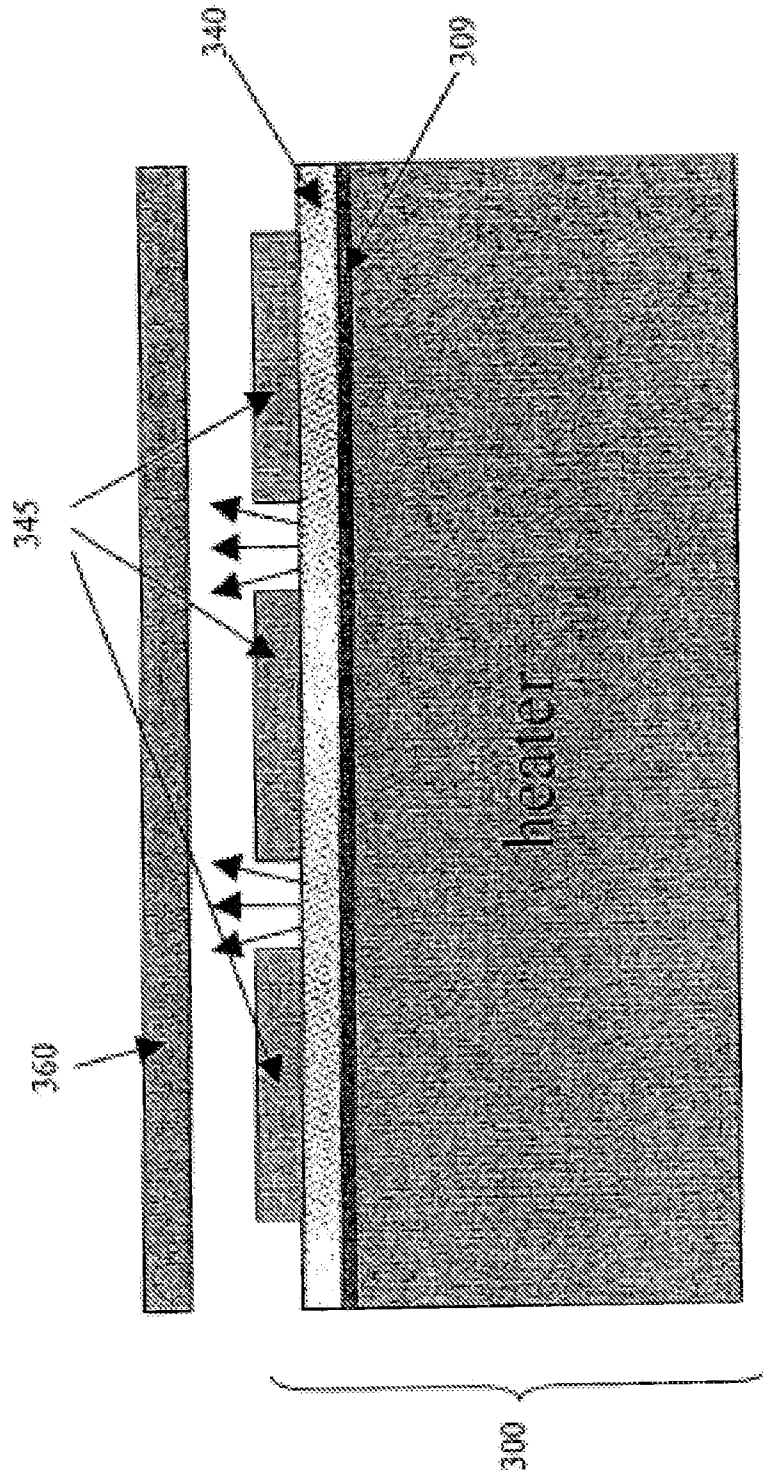


Fig. 3

Fig. 4

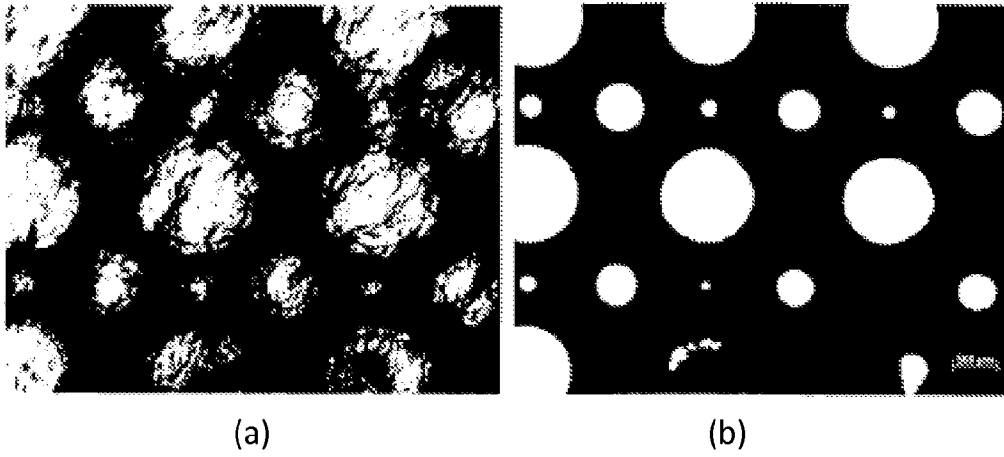


Fig. 5

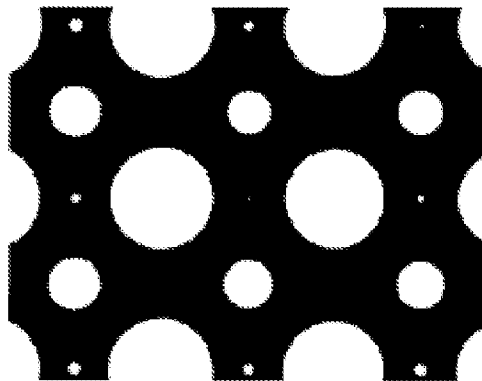
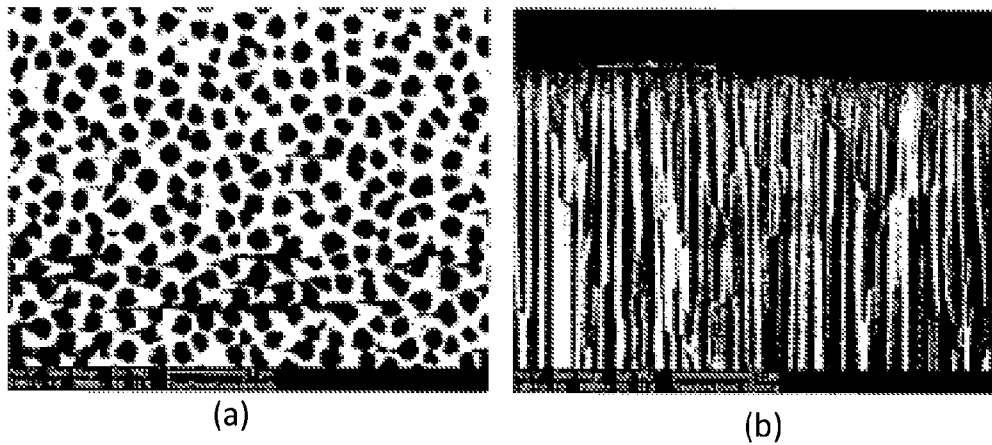


Fig. 6



(a) cross-section and (b) top view

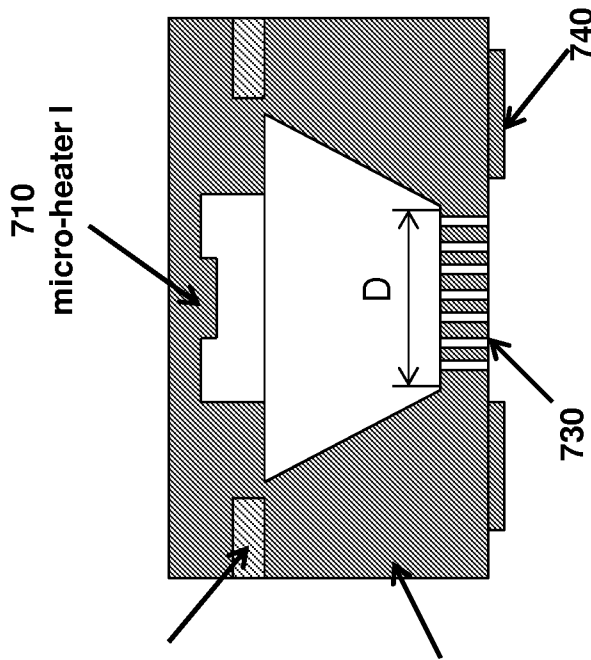


Fig. 7A

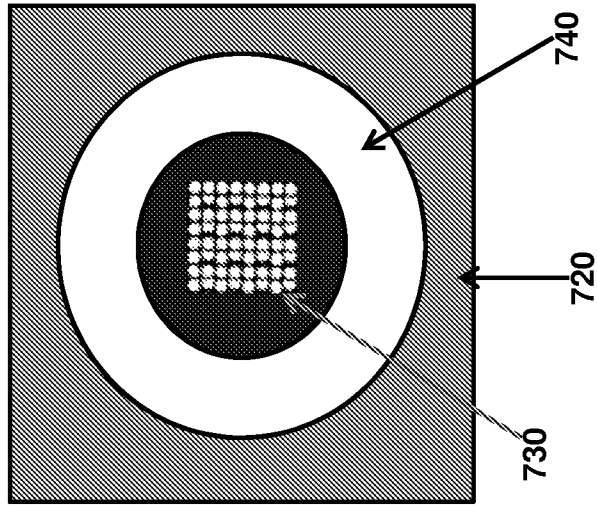


Fig. 7B



## METHOD AND APPARATUS FOR DEPOSITING LED ORGANIC FILM

This instant application is a continuation of U.S. Non-Provisional application Ser. No. 11/282,472 filed Nov. 21, 2005 and claims the filing-date priority to U.S. Provisional Application No. 60/629,312, filed Nov. 19, 2004.

### BACKGROUND

The disclosure relates to a method and apparatus for depositing an organic film on a substrate. Manufacturing light emitting diode (LED) cell requires depositing of two thin organic films on a substrate and coupling each of the thin films to an electrode. Conventionally, the deposition step is carried out by evaporating the desired organic film on the substrate. The film thickness is a prime consideration. The layer thickness is about 100 nm and each layer is optimally deposited to an accuracy of about  $\pm 0.10$  nm. As a result, conventional apparatus form multiple layers on a substrate with each layer having a thickness of about 10 nm. A combination of these layers will form the overall film. Because the organic constituents of the LED are often suspended in a solvent, removing the solvent prior to depositing each layer is crucial. A small amount of solvent in one layer of deposited organic thin film can cause contamination and destruction of the adjacent layers. Conventional techniques have failed to address this deficiency.

Another consideration in depositing organic thin films of an LED device is placing the films precisely at the desired location. Conventional technologies use shadow masking to form LED films of desired configuration. The shadow masking techniques require placing a well-defined mask over a region of the substrate followed by depositing the film over the entire substrate. Once deposition is complete, the shadow mask is removed to expose the protected portions of the substrate. Since every deposition step starts by forming a shadow mask and ends with removing and discarding the mask, a drawback of shadow masking technique is inefficiency.

### SUMMARY OF THE DISCLOSURE

In one embodiment the disclosure relates to an apparatus for depositing an organic material on a substrate, the apparatus comprising: a source heater for heating organic particles to form suspended organic particles; a transport stream for delivering the suspended organic particles to a discharge nozzle, the discharge nozzle having a plurality of micro-pores, the micro-pores providing a conduit for passage of the suspended organic particles; and a nozzle heater for pulsatingly heating the nozzle to discharge the suspended organic particles from the discharge nozzle.

According to another embodiment, the disclosure relates to a method for depositing a layer of substantially solvent-free organic material on a substrate, comprising heating the organic material to form a plurality of suspended organic particles; delivering the suspended organic particles to a discharge nozzle, the discharge nozzle having a plurality of micro-pores for receiving the suspended organic particles; and energizing the discharge nozzle to pulsatingly eject the suspended organic particles from the discharge nozzle. Organic particle may include an organic molecule or a molecular aggregate.

According to another embodiment, the disclosure relates to a method for depositing a layer of organic material on a substrate. The organic material may be suspended in solvent

to provide crystal growth or to convert an amorphous organic structure into a crystalline structure. The method can include heating the organic material to form a plurality of suspended organic particles; delivering the suspended organic particles to a discharge nozzle, the discharge nozzle having a plurality of micro-pores for receiving the suspended organic particles; and energizing the discharge nozzle to pulsatingly eject the suspended organic particles from the discharge nozzle. Organic particle may include an organic molecule or a molecular aggregate.

According to still another embodiment, the disclosure relates to an apparatus for depositing an organic compound on a substrate comprising a chamber having a reservoir for receiving the organic compound, the chamber having an inlet and an outlet for receiving a transport gas; a discharge nozzle having a plurality of micro-porous conduits for receiving the organic compound delivered by the transport gas; and an energy source coupled to the discharge nozzle to provide pulsating energy adapted to discharge at least a portion of the organic compound from one of the micro-porous conduits to a substrate.

In yet another embodiment, an apparatus for depositing an organic compound comprises a chamber having a reservoir for housing the organic material dissolved in a solvent, the reservoir separated from the chamber through an orifice; a discharge nozzle defined by a plurality of micro-porous conduits for receiving the organic compound communicated from the reservoir; and an energy source coupled to the discharge nozzle providing pulsating energy for discharging at least a portion of the organic compound from one of the micro-porous conduits to a substrate; and a delivery path connecting the chamber and the nozzle. The organic compound may be substantially free of solvent. Alternatively, the organic compound may include in solvent. In a solvent-based system, the solvent discharge from the nozzle provides the added benefit of cooling the nozzle upon discharge.

In still another embodiment, a micro-porous nozzle for depositing an organic composition on a substrate includes a thermal source communicating energy to organic material interposed between the heater and a porous medium, the porous medium having an integrated mask formed thereon to define a deposition pattern.

### BRIEF DESCRIPTION OF THE DRAWINGS

FIG. 1 is a schematic representation of a discharge apparatus for discharging organic compounds, or its mixture, according to one embodiment of the disclosure;

FIG. 2 is a schematic representation of a discharge apparatus for discharging organic compounds according to another embodiment of the disclosure;

FIG. 3 schematically illustrates a discharge nozzle according to one embodiment of the disclosure;

FIGS. 4A and 4B show an image printed according to one embodiment of the disclosure;

FIG. 5 is a photoluminescence image of a pattern printed by molecular jet printer system;

FIGS. 6A and 6B show the surface and the cross section, respectively, of a porous medium; and

FIGS. 7A and 7B illustrate a molecular jet printing apparatus according one embodiment of the disclosure in cross-sectional and top views, respectively.

### DETAILED DESCRIPTION

In one embodiment, the disclosure relates to a method and apparatus for depositing a pure organic thin film, or a mixed

organic film, or an organic thin film mixed with inorganic particles, or inorganic thin film on a substrate. Such films can be used, among others, in the design and construction of organic LED.

FIG. 1 is a schematic representation of a discharge apparatus for discharging organic compounds, or its mixture, according to one embodiment of the disclosure. Referring to FIG. 1, exemplary apparatus for depositing an organic material on a substrate includes housing 105 having discharge nozzle 125 at one end and a reservoir 107 at another end. Reservoir 107 may contain organic constituents required for forming an LED film. The organic constituent may be liquid or solid. Heat source 110 is provided to heat reservoir 107 and the content thereof. Heat source 110 can provide heating of about 100-700.degree. C.

Housing 105 may optionally include inlet 115 and outlet 120. The inlet and outlet can be defined by a flange adapted to receive a carrier gas (interchangeably, transport gas.) In one embodiment, the carrier gas is an inert gas such as nitrogen or argon. Delivery path 135 can be formed within housing 105 to guide the flow of the carrier gas. Thermal shields 160 may be positioned to deflect thermal radiation from heat source 110 to thereby protect discharge nozzle 125 and organic particles contained therein.

In the exemplary embodiment of FIG. 1, the discharge section includes discharge nozzle 125 and nozzle heater 130. Among others, the discharge nozzle can be formed from anodized porous aluminum oxide or porous silicon membranes or other solid membranes. Such material are capable of blocking organic material from escaping through the porous medium when the organic material is delivered onto the porous medium's surface. Discharge nozzle 125 includes rigid portions 141 separated by micro-pores 140. Micro-pores 140 block organic material from escaping through the medium until the medium is appropriately activated. Depending on the desired application, micro-pores 140 can provide conduits (or passages) in the order of micro- or nano-pores. In one embodiment, the pore size is in the range of about 5 nm-100 microns. In another embodiment pores are about 100 nm to about 10 microns. Nozzle heater 130 is positioned proximal to the discharge nozzle 125. When activated, nozzle heater 130 provides a pulse of energy, for example as heat, to discharge nozzle 125. The activation energy of the pulse dislodges organic material 109 contained within micro-pores 140.

In a method according to one embodiment of the disclosure, reservoir 107 is commissioned with organic material suitable for LED deposition. The organic material may be in liquid or solid form. Source heater 110 provides heat adequate to evaporate the organic material and form suspended particles 109. By engaging a carrier gas inlet 115, suspended particles 109 are transported through thermal shields 160 toward discharge nozzle 125. The carrier gas is directed to gas outlet 120 through delivery path 135. Particles 109 reaching discharge nozzle are lodged in micro-pores 130. Activating nozzle heater 130 to provide energy to discharge nozzle 125 can cause ejection of organic particles 109 from the discharge nozzle. Nozzle heater 130 can provide energy in cyclical pulses. The intensity and the duration of each pulse can be defined by a controller (not shown.) The activating energy can be thermal energy. A substrate can be positioned immediately adjacent to discharge nozzle 125 to receive the ejected organic particles. Applicants have discovered that the exemplary embodiment shown in FIG. 1 can form a thick organic film on a substrate with great accuracy. The embodiment of FIG. 1 is also advantageous in that it can substantially

reduce substrate heating, minimizes local clogging and provide the most efficient use of organic material.

FIG. 2 is a schematic representation of a discharge apparatus for discharging organic compounds according to another embodiment of the disclosure. Referring to FIG. 2, apparatus 200 is adapted for forming an organic film substantially free from solvent. Apparatus 200 includes reservoir 210 for receiving organic solution 215. In one embodiment, organic solution 215 contains organic material dissolved in a solvent. Thermal resistor 220 is positioned proximal to reservoir 210 to heat organic solution 215. Orifice 232 separates reservoir 210 from discharge nozzle 225. Discharge nozzle 225 comprises micro-pores 240 separated by rigid sections 241.

Because of the size of orifice 232, surface tension of organic solution prevents discharge of organic solution 215 from the reservoir until appropriately activated. Once thermal resistor 220 is activated, energy in the form of heat causes evaporation of droplet 235 within a chamber of apparatus 200. Solvents have a lower vapor pressure and evaporate rapidly. Once evaporates, organic compound within droplet 235 is transported to discharge nozzle 225. Discharge nozzle 225 receives the organic material 209 within micro-pores 240. The solvent can be recycled back to organic solution 215 or can be removed from the chamber (not shown). By activating nozzle heater 230, micro-pores 240 dislodge organic particles 209, thereby forming a film on an immediately adjacent substrate (not shown.) In one embodiment, nozzle heater 230 can be activated in a pulse-like manner to provide heat to discharge nozzle cyclically.

FIG. 3 schematically illustrates a discharge nozzle according to one embodiment of the disclosure. In FIG. 3, discharge nozzle 300 comprises heater 330, porous medium 340 and integrated mask 345. Heater 330 is communicates pulse energy in the form of heat to organic material 309 causing dislodge thereof from porous medium 340. Integrated mask 345 effectively masks portions of the porous medium from transmitting organic ink material 309. Consequently, a film forming on substrate 360 will define a negative image of the integrated mask.

Thus, in one embodiment, the particles can be discharged from the porous medium by receiving thermal energy from a proximal resistive heater, or a thermal radiation heater, or by electrostatic force pull out of the micro-porous, or by mechanical vibration.

FIGS. 4A and 4B show an image printed according to one embodiment of the disclosure. Specifically, FIG. 4 shows the printing result using the exemplary apparatus shown in FIG. 3. The ink material is Alq3 and was pre-coated on the backside of an anodized porous alumina disc. FIG. 4A shows the LED organic printed pattern under halogen illumination. FIG. 4B shows the photoluminescence image under UV illumination.

FIG. 5 is a photoluminescence image of a pattern printed by molecular jet printer system according to another embodiment of the disclosure. FIG. 5 was obtained by using the discharge nozzle shown in FIG. 3. The ink material was Alq3. The ink material was drop cast on the backside of anodized porous alumina disc.

FIGS. 6A and 6B show the surface and the cross section, respectively, of a porous medium. The porous medium can be used according to the principles disclosed herein with a discharge nozzle or as a part of a nozzle having an integrated mask (see FIG. 3.) FIG. 6A shows the surface of the porous medium. FIG. 6B shows a cross-section of the porous medium. FIG. 6A shows a scale of 1  $\mu\text{m}$  and FIG. 6B has a scale of 2  $\mu\text{m}$ .

5

FIGS. 7A and 7B illustrate a molecular jet printing apparatus according to an embodiment of the disclosure in cross-sectional and top views, respectively. Referring to FIG. 7A, printing apparatus 700 includes micro-heater 710 which can be used as a liquid delivery system. Wafer bonding layer 715 connects the liquid delivery system to nozzle section 720. Porous openings 730 are positioned at a discharge end of nozzle 720 and micro-heaters 740 are positioned adjacent to porous openings 730 to providing energy required to eject organic material or ink from nozzle 720. FIG. 7B shows a top view of the nozzle shown in FIG. 7A including porous openings 730 and heaters 740.

While the principles of the disclosure have been illustrated in relation to the exemplary embodiments shown herein, the principles of the disclosure are not limited thereto and include any modification, variation or permutation thereof.

What is claimed is:

1. An apparatus for depositing one or more organic materials onto a substrate, comprising:
  - a source to receive a quantity of organic particles containing solvent, the source configured to remove solvent from the quantity of organic particles to provide a quantity of substantially solvent-free organic particles;
  - a discharge nozzle having a plurality of openings to receive the quantity of substantially solvent-free organic particles and to discharge the quantity of substantially solvent-free organic particles from the discharge nozzle onto the substrate;
  - a thermal source associated with the discharge nozzle, the thermal source configured to receive the quantity of substantially solvent-free organic particles from the source and to deliver at least a portion of the quantity of substantially solvent-free organic particles to the discharge nozzle; and

6

a housing to integrate the source and the discharge nozzle, the housing defining a flow path between the source and the discharge nozzle.

2. The apparatus of claim 1, wherein the source further comprises an evaporation source.
3. The apparatus of claim 1, further comprising a vacuum source to enable the apparatus to operate at a relative vacuum.
4. An apparatus for depositing one or more organic materials onto a substrate, comprising:
  - a first member having a plurality of columnar conduits;
  - a second member having a plurality of openings corresponding to the plurality of columnar conduits;
  - a source to receive a quantity of organic particles containing solvent;
  - a heater to remove the solvent from the quantity of organic particles to form a quantity of substantially solvent-free organic particles;
  - a thermal source associated with one of the first or the second member, the thermal source configured to receive the quantity of substantially solvent-free organic particles and to deposit at least a portion of the quantity of substantially solvent-free organic particles on the substrate; and
  - a housing to integrate the source and the columnar conduits, the housing defining a flow path between the source and the columnar conduits.
5. The apparatus of claim 4, further comprising a vacuum source to enable the apparatus to operate in a relative vacuum.
6. The apparatus of claim 4, wherein the plurality of columnar conduits further comprise a plurality of micro-pores.
7. The apparatus of claim 4, wherein the second substantially planar member further comprises a mask.
8. The apparatus of claim 4, further comprising a transport gas for delivering the quantity of substantially-solvent free organic particles through the flow path to the first member.

\* \* \* \* \*